

MHI

TECHNICAL MANUAL

DRAFT

Manual No.'10•SR-T-091D

INVERTER RESIDENTIAL AIR CONDITIONERS (Split system, air to air heat pump type)

Wall mounted type

SRK50ZJ-S

SRK20ZJX-S

25ZJX-S

35ZJX-S

50ZJX-S

60ZJX-S

Floor standing type

SRF25ZJX-S

35ZJX-S

50ZJX-S

Ceiling concealed type

SRR25ZJ-S

35ZJ-S

Ceiling cassette-4way compact type

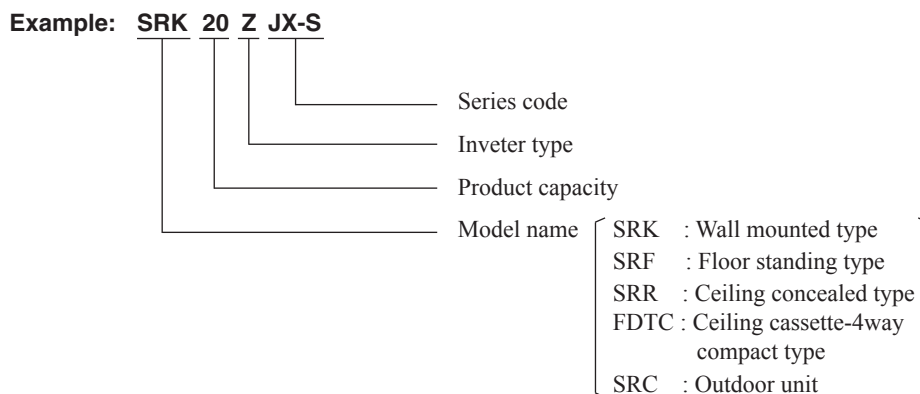
FDTC25VD

35VD

CONTENTS

| | |
|---|-----------|
| 1. SPECIFICATIONS | 2 |
| (1) Wall mounted type (SRK) | 2 |
| (2) Floor standing type (SRF) | 8 |
| (3) Ceiling concealed type (SRR) | 11 |
| (4) Ceiling cassette-4way compact type (FDTC) | 13 |
| 2. EXTERIOR DIMENSIONS | 15 |
| (1) Indoor units | 15 |
| (2) Outdoor units | 20 |
| (3) Remote controller | 23 |
| 3. ELECTRICAL WIRING | 25 |
| (1) Indoor units | 25 |
| (2) Outdoor units | 30 |

■ How to read the model name




1. SPECIFICATIONS

(1) Wall mounted type (SRK)

Adapted to RoHS directive

| Item | | | Model | SRK50ZJ-S | | |
|---|-----------------------------------|------------------------|---|---|---|-----------|
| | | | | Indoor unit SRK50ZJ-S | Outdoor unit SRC50ZJ-S | |
| Cooling capacity (1) | | | W | 5000 (1600 (Min.)~5500 (Max.)) | | |
| Heating capacity (1) | | | W | 5800 (1600 (Min.)~6600 (Max.)) | | |
| Power supply | | | | 1 Phase, 220~240 V, 50Hz | | |
| Operation data (1) | Power consumption | Cooling | kW | 1.55 (0.40~2.20) | | |
| | | Heating | | 1.59 (0.42~2.10) | | |
| | Running current | Cooling | A | 7.1 / 6.8 / 6.5 (220/ 230/ 240 V) | | |
| | | Heating | | 7.3 / 7.0 / 6.7 (220/ 230/ 240 V) | | |
| | Inrush current | | | 7.3 / 7.0 / 6.7 (220/ 230/ 240 V) | | |
| | COP | Cooling | | 3.23 | | |
| | | Heating | | 3.65 | | |
| | Noise level | Cooling | Sound level | dB(A) | Hi : 46 Me : 37 Lo : 26 | 51 |
| Power level | | | dB | 61 | 61 | |
| Heating | | Sound level | dB(A) | Hi : 45 Me : 37 Lo : 31 | 53 | |
| | | Power level | dB | 61 | 63 | |
| Exterior dimensions (Height x Width x Depth) | | | mm | 294 x 798 x 229 | 640 x 800 (+71) x 290 | |
| Exterior appearance (Munsell color) | | | | Fine snow (8.0Y 9.3/0.1) near equivalent | Stucco white (4.2Y 7.5/1.1) near equivalent | |
| Net weight | | | kg | 9.5 | 42 | |
| Refrigerant equipment | Compressor type & Q'ty | | | — | 5RS132XAB21 (Rotary type) x 1 | |
| | Motor (Starting method) | | kW | — | 0.90 (Line starting) | |
| | Refrigerant oil | | ℓ | 0.37 (FV50S) | | |
| | Refrigerant (4) | | kg | R410A 1.35 (Pre-Charged up to the piping length of 15m) | | |
| | Heat exchanger | | | Louver fins & inner grooved tubing | M fins & inner grooved tubing | |
| | Refrigerant control | | | Capillary tubes + Electronic expansion valve | | |
| Deice control | | | Microcomputer control | | | |
| Air handling equipment | Fan type & Q'ty | | | Tangential fan x 1 | Propeller fan x 1 | |
| | Motor | | W | 38 | 34 | |
| | Air flow | Cooling | CMM | Hi : 11.3 Me : 7.8 Lo : 5.3 | | |
| | | Heating | | Hi : 13.5 Me : 10.2 Lo : 7.5 | | |
| | Fresh air intake | | | Not possible | | |
| Air filter, Quality / Quantity | | | Polypropylene net (washable) x 2 | | | |
| Shock & vibration absorber | | | | — | Cushion rubber (for compressor) | |
| Electric heater | | | | — | — | |
| Operation control | Operation switch | | | Wireless-Remote control | — | |
| | Room temperature control | | | Microcomputer thermostat | — | |
| | Operation Display | | | RUN : Green, TIMER : Yellow, HI POWER : Green, 3D AUTO : Green | | |
| Safety devices | | | | Compressor overheat protection, Overcurrent protection, Frost protection, Serial signal error protection, Indoor fan motor error protection, Heating overload protection (High pressure control), Cooling overload protection | | |
| Installation data | Refrigerant piping size (O.D) | | mm | Liquid line : ϕ 6.35 (1/4") Gas line : ϕ 12.7 (1/2") | | |
| | Connecting method | | | Flare connecting | | |
| | Attached length of piping | | m | Liquid line : 0.53 | — | |
| | Insulation for piping | | | Necessary (Both sides), independent | | |
| | Refrigerant line (one way) length | | | Max. 25 | | |
| Vertical height difference between outdoor unit and indoor unit | | m | Max. 15 (Outdoor unit is higher) Max. 15 (Outdoor unit is lower) | | | |
| Drain hose | | | | Connectable (VP16) | — | |
| Power cable | | | | — | | |
| Recommended breaker size | | | A | 16 | | |
| Connection wiring | Size x Core number | | | 1.5mm ² x 4 cores (Including earth cable) | | |
| | Connecting method | | | Terminal block (Screw fixing type) | | |
| Accessories (included) | | | | Mounting kit, Clean filter (Allergen clear filter x 1, Photocatalytic washable deodorizing filter x 1) | | |
| Optional parts | | | | Interface kit (SC-BIKN-E) | | |
| Note (1) The data are measured at the following conditions. | | | | The pipe length is 7.5m. | | |
| Operation | Item | Indoor air temperature | | Outdoor air temperature | | |
| | | DB | WB | DB | WB | Standards |
| | Cooling | 27°C | 19°C | 35°C | 24°C | |
| Heating | 20°C | — | 7°C | 6°C | | |
| ISO-T1, JIS C 9612 | | | | | | |
| (2) This air-conditioner is manufactured and tested in conformity with the ISO. | | | | | | |
| (3) The operation data are applied to the 220/230/240V districts respectively. | | | | | | |
| (4) The refrigerant quantity to be charged includes the refrigerant in 15m connecting piping. (Purging is not required even for the short piping.) | | | | | | |

RWA000Z225 

Adapted to RoHS directive

| Item | | | Model | SRK20ZJX-S | | | |
|--|-----------------------------------|------------------------|----------------------------------|---|---------------------------------|---|--------------------|
| | | | | Indoor unit SRK20ZJX-S | | Outdoor unit SRC20ZJX-S | |
| Cooling capacity (1) | | | W | 2000 (900 (Min.)~3100 (Max.)) | | | |
| Heating capacity (1) | | | W | 2500 (900 (Min.)~4300 (Max.)) | | | |
| Power supply | | | | 1 Phase, 220~240 V, 50Hz | | | |
| Operation data (1) | Power consumption | Cooling | kW | 0.35 (0.19~0.70) | | | |
| | | Heating | | 0.45 (0.23~1.00) | | | |
| | Running current | Cooling | A | 1.9 / 1.8 / 1.7 (220/ 230/ 240 V) | | | |
| | | Heating | | 2.4 / 2.3 / 2.2 (220/ 230/ 240 V) | | | |
| | Inrush current | | | 2.4 / 2.3 / 2.2 (220/ 230/ 240 V) | | | |
| | COP | | Cooling | 5.71 | | | |
| | | | Heating | 5.56 | | | |
| | Noise level | Cooling | Sound level | dB(A) | Hi : 39 Me : 30 Lo : 21 | | 47 |
| Power level | | | dB | 53 | | 60 | |
| Heating | | Sound level | dB(A) | Hi : 38 Me : 33 Lo : 25 | | 47 | |
| | | Power level | dB | 54 | | 59 | |
| Exterior dimensions (Height x Width x Depth) | | | mm | 309 x 890 x 220 | | 595 x 780 (+62) x 290 | |
| Exterior appearance (Munsell color) | | | | Fine snow (8.0Y 9.3/0.1) near equivalent | | Stucco white (4.2Y 7.5/1.1) near equivalent | |
| Net weight | | | kg | 15 | | 38 | |
| Refrigerant equipment | Compressor type & Q'ty | | | — | | RM-B5077MDE1 (Rotary type) x 1 | |
| | Motor (Starting method) | | kW | — | | 0.75 (Line starting) | |
| | Refrigerant oil | | ℓ | 0.35 (DIAMOND FREEZE MA68) | | | |
| | Refrigerant (4) | | kg | R410A 1.2 (Pre-Charged up to the piping length of 15m) | | | |
| | Heat exchanger | | | Louver fins & inner grooved tubing | | M fins & inner grooved tubing | |
| | Refrigerant control | | | Capillary tubes + Electronic expansion valve | | | |
| | Deice control | | | Microcomputer control | | | |
| Air handling equipment | Fan type & Q'ty | | | Tangential fan x 1 | | Propeller fan x 1 | |
| | Motor | | | 27 | | 24 | |
| | Air flow | Cooling | CMM | Hi : 11.5 Me : 8.0 Lo : 5.0 | | 29.5 | |
| | | Heating | | Hi : 12.0 Me : 9.5 Lo : 7.0 | | 27.0 | |
| | Fresh air intake | | | Not possible | | — | |
| Air filter, Quality / Quantity | | | Polypropylene net (washable) x 2 | | — | | |
| Shock & vibration absorber | | | | — | | Cushion rubber (for compressor) | |
| Electric heater | | | | — | | — | |
| Operation control | Operation switch | | | Wireless-Remote control | | — | |
| | Room temperature control | | | Microcomputer thermostat | | — | |
| | Operation Display | | | RUN : Green, TIMER : Yellow, HI POWER : Green, 3D AUTO : Green, ECONO : Blue | | | |
| Safety devices | | | | Compressor overheat protection, Overcurrent protection, Frost protection, Serial signal error protection, Indoor fan motor error protection, Heating overload protection (High pressure control), Cooling overload protection | | | |
| Installation data | Refrigerant piping size (O.D) | | mm | Liquid line : φ 6.35 (1/4") Gas line : φ 9.52 (3/8") | | | |
| | Connecting method | | | Flare connecting | | | |
| | Attached length of piping | | m | Liquid line : 0.55 | | — | |
| | Insulation for piping | | | Necessary (Both sides), independent | | | |
| | Refrigerant line (one way) length | | | Max. 15 | | | |
| Vertical height difference between outdoor unit and indoor unit | | m | Max. 10 (Outdoor unit is higher) | | Max. 10 (Outdoor unit is lower) | | |
| Drain hose | | | | Connectable (VP16) | | — | |
| Power cable | | | | — | | | |
| Recommended breaker size | | | A | 16 | | | |
| Connection wiring | | Size x Core number | | 1.5mm ² x 4 cores (Including earth cable) | | | |
| | | Connecting method | | Terminal block (Screw fixing type) | | | |
| Accessories (included) | | | | Mounting kit, Clean filter (Allergen clear filter x 1, Photocatalytic washable deodorizing filter x 1) | | | |
| Optional parts | | | | Interface kit (SC-BIKN-E) | | | |
| Note (1) The data are measured at the following conditions. | | | | The pipe length is 7.5m. | | | |
| Operation | Item | Indoor air temperature | | Outdoor air temperature | | Standards | |
| | | DB | WB | DB | WB | | |
| | Cooling | 27°C | 19°C | 35°C | 24°C | | ISO-T1, JIS C 9612 |
| Heating | 20°C | — | 7°C | 6°C | | | |
| (2) This air-conditioner is manufactured and tested in conformity with the ISO. | | | | | | | |
| (3) The operation data are applied to the 220/230/240V districts respectively. | | | | | | | |
| (4) The refrigerant quantity to be charged includes the refrigerant in 15m connecting piping. (Purging is not required even for the short piping.) | | | | | | | |

Adapted to RoHS directive

| Item | | | Model | SRK25ZJX-S | | |
|---|-----------------------------------|------------------------|---|---|---|-----------|
| | | | | Indoor unit SRK25ZJX-S | Outdoor unit SRC25ZJX-S | |
| Cooling capacity (1) | | | W | 2550 (900 (Min.) ~ 3200 (Max.)) | | |
| Heating capacity (1) | | | W | 3130 (900 (Min.) ~ 4700 (Max.)) | | |
| Power supply | | | | 1 Phase, 220 ~ 240 V, 50Hz | | |
| Operation data (1) | Power consumption | Cooling | kW | 0.49 (0.19 ~ 0.82) | | |
| | | Heating | | 0.595 (0.23 ~ 1.12) | | |
| | Running current | Cooling | A | 2.5 / 2.4 / 2.3 (220/ 230/ 240 V) | | |
| | | Heating | | 3.1 / 2.9 / 2.8 (220/ 230/ 240 V) | | |
| | Inrush current | | | 3.1 / 2.9 / 2.8 (220/ 230/ 240 V) | | |
| | COP | Cooling | | 5.20 | | |
| | | Heating | | 5.26 | | |
| | Noise level | Cooling | Sound level | dB(A) | Hi : 41 Me : 31 Lo : 22 | 47 |
| | | | Power level | dB | 55 | 60 |
| | | Heating | Sound level | dB(A) | Hi : 41 Me : 34 Lo : 27 | 47 |
| Power level | | | dB | 58 | 60 | |
| Exterior dimensions (Height x Width x Depth) | | | mm | 309 x 890 x 220 | 595 x 780 (+62) x 290 | |
| Exterior appearance (Munsell color) | | | | Fine snow (8.0Y 9.3/0.1) near equivalent | Stucco white (4.2Y 7.5/1.1) near equivalent | |
| Net weight | | | kg | 15 | 38 | |
| Refrigerant equipment | Compressor type & Q'ty | | | — | RM-B5077MDE1 (Rotary type) x 1 | |
| | Motor (Starting method) | | kW | — | 0.75 (Line starting) | |
| | Refrigerant oil | | ℓ | 0.35 (DIAMOND FREEZE MA68) | | |
| | Refrigerant (4) | | kg | R410A 1.2 (Pre-Charged up to the piping length of 15m) | | |
| | Heat exchanger | | | Louver fins & inner grooved tubing | M fins & inner grooved tubing | |
| | Refrigerant control | | | Capillary tubes + Electronic expansion valve | | |
| Deice control | | | Microcomputer control | | | |
| Air handling equipment | Fan type & Q'ty | | | Tangential fan x 1 | Propeller fan x 1 | |
| | Motor | | W | 27 | 24 | |
| | Air flow | Cooling | CMM | Hi : 12.5 Me : 9.0 Lo : 5.0 | | |
| | | Heating | | Hi : 13.0 Me : 10.0 Lo : 7.5 | | |
| | Fresh air intake | | | Not possible | | |
| Air filter, Quality / Quantity | | | Polypropylene net (washable) x 2 | | | |
| Shock & vibration absorber | | | | — | Cushion rubber (for compressor) | |
| Electric heater | | | | — | | |
| Operation control | Operation switch | | | Wireless-Remote control | | |
| | Room temperature control | | | Microcomputer thermostat | | |
| | Operation Display | | | RUN : Green, TIMER : Yellow, HI POWER : Green, 3D AUTO : Green, ECONO : Blue | | |
| Safety devices | | | | Compressor overheat protection, Overcurrent protection, Frost protection, Serial signal error protection, Indoor fan motor error protection, Heating overload protection (High pressure control), Cooling overload protection | | |
| Installation data | Refrigerant piping size (O.D) | | mm | Liquid line : ϕ 6.35 (1/4") Gas line : ϕ 9.52 (3/8") | | |
| | Connecting method | | | Flare connecting | | |
| | Attached length of piping | | m | Liquid line : 0.55 Gas line : 0.49 | — | |
| | Insulation for piping | | | Necessary (Both sides), independent | | |
| | Refrigerant line (one way) length | | | Max. 15 | | |
| Vertical height difference between outdoor unit and indoor unit | | m | Max. 10 (Outdoor unit is higher) Max. 10 (Outdoor unit is lower) | | | |
| Drain hose | | | | Connectable (VP16) | — | |
| Power cable | | | | — | | |
| Recommended breaker size | | | A | 16 | | |
| Connection wiring | Size x Core number | | | 1.5mm ² x 4 cores (Including earth cable) | | |
| | Connecting method | | | Terminal block (Screw fixing type) | | |
| Accessories (included) | | | | Mounting kit, Clean filter (Allergen clear filter x 1, Photocatalytic washable deodorizing filter x 1) | | |
| Optional parts | | | | Interface kit (SC-BIKN-E) | | |
| Note (1) The data are measured at the following conditions. | | | | The pipe length is 7.5m. | | |
| Operation | Item | Indoor air temperature | | Outdoor air temperature | | Standards |
| | | DB | WB | DB | WB | |
| | Cooling | 27°C | 19°C | 35°C | 24°C | |
| Heating | 20°C | — | 7°C | 6°C | | |
| (2) This air-conditioner is manufactured and tested in conformity with the ISO. | | | | | | |
| (3) The operation data are applied to the 220/230/240V districts respectively. | | | | | | |
| (4) The refrigerant quantity to be charged includes the refrigerant in 15m connecting piping. (Purging is not required even for the short piping.) | | | | | | |

Adapted to RoHS directive

| Item | | | Model | SRK35ZJX-S | | |
|---|-----------------------------------|------------------------|---|---|---|-----------|
| | | | | Indoor unit SRK35ZJX-S | Outdoor unit SRC35ZJX-S | |
| Cooling capacity (1) | | | W | 3500 (900 (Min.) ~ 4100 (Max.)) | | |
| Heating capacity (1) | | | W | 4300 (900 (Min.) ~ 5100 (Max.)) | | |
| Power supply | | | | 1 Phase, 220 ~ 240 V, 50Hz | | |
| Operation data (1) | Power consumption | Cooling | kW | 0.845 (0.19 ~ 1.01) | | |
| | | Heating | | 0.960 (0.23 ~ 1.35) | | |
| | Running current | Cooling | A | 4.0 / 3.8 / 3.6 (220/ 230/ 240 V) | | |
| | | Heating | | 4.6 / 4.4 / 4.2 (220/ 230/ 240 V) | | |
| | Inrush current | | | 4.6 / 4.4 / 4.2 (220/ 230/ 240 V) | | |
| | COP | Cooling | | 4.14 | | |
| | | Heating | | 4.48 | | |
| | Noise level | Cooling | Sound level | dB(A) | Hi : 43 Me : 33 Lo : 22 | 50 |
| | | | Power level | dB | 58 | |
| | | Heating | Sound level | dB(A) | Hi : 42 Me : 35 Lo : 27 | 50 |
| Power level | | | dB | 59 | | |
| Exterior dimensions (Height x Width x Depth) | | | mm | 309 x 890 x 220 | 595 x 780 (+62) x 290 | |
| Exterior appearance (Munsell color) | | | | Fine snow (8.0Y 9.3/0.1) near equivalent | Stucco white (4.2Y 7.5/1.1) near equivalent | |
| Net weight | | | kg | 15 | 38 | |
| Refrigerant equipment | Compressor type & Q'ty | | | — | RM-B5077MDE1 (Rotary type) x 1 | |
| | Motor (Starting method) | | kW | — | 0.90 (Line starting) | |
| | Refrigerant oil | | ℓ | 0.35 (DIAMOND FREEZE MA68) | | |
| | Refrigerant (4) | | kg | R410A 1.2 (Pre-Charged up to the piping length of 15m) | | |
| | Heat exchanger | | | Louver fins & inner grooved tubing | M fins & inner grooved tubing | |
| | Refrigerant control | | | Capillary tubes + Electronic expansion valve | | |
| Deice control | | | Microcomputer control | | | |
| Air handling equipment | Fan type & Q'ty | | | Tangential fan x 1 | Propeller fan x 1 | |
| | Motor | | W | 27 | 24 | |
| | Air flow | Cooling | CMM | Hi : 13.5 Me : 9.5 Lo : 5.0 | | |
| | | Heating | | Hi : 14.0 Me : 11.0 Lo : 8.0 | | |
| | Fresh air intake | | | Not possible | | |
| Air filter, Quality / Quantity | | | Polypropylene net (washable) x 2 | | | |
| Shock & vibration absorber | | | | — | Cushion rubber (for compressor) | |
| Electric heater | | | | — | | |
| Operation control | Operation switch | | | Wireless-Remote control | — | |
| | Room temperature control | | | Microcomputer thermostat | — | |
| | Operation Display | | | RUN : Green, TIMER : Yellow, HI POWER : Green, 3D AUTO : Green, ECONO : Blue | | |
| Safety devices | | | | Compressor overheat protection, Overcurrent protection, Frost protection, Serial signal error protection, Indoor fan motor error protection, Heating overload protection (High pressure control), Cooling overload protection | | |
| Installation data | Refrigerant piping size (O.D) | | mm | Liquid line : φ 6.35 (1/4") Gas line : φ 9.52 (3/8") | | |
| | Connecting method | | | Flare connecting | | |
| | Attached length of piping | | m | Liquid line : 0.55 Gas line : 0.49 | — | |
| | Insulation for piping | | | Necessary (Both sides), independent | | |
| | Refrigerant line (one way) length | | | Max. 15 | | |
| Vertical height difference between outdoor unit and indoor unit | | m | Max. 10 (Outdoor unit is higher) Max. 10 (Outdoor unit is lower) | | | |
| Drain hose | | | | Connectable (VP16) | — | |
| Power cable | | | | — | | |
| Recommended breaker size | | | A | 16 | | |
| Connection wiring | Size x Core number | | | 1.5mm ² x 4 cores (Including earth cable) | | |
| | Connecting method | | | Terminal block (Screw fixing type) | | |
| Accessories (included) | | | | Mounting kit, Clean filter (Allergen clear filter x 1, Photocatalytic washable deodorizing filter x 1) | | |
| Optional parts | | | | Interface kit (SC-BIKN-E) | | |
| Note (1) The data are measured at the following conditions. | | | | The pipe length is 7.5m. | | |
| Operation | Item | Indoor air temperature | | Outdoor air temperature | | Standards |
| | | DB | WB | DB | WB | |
| | Cooling | 27°C | 19°C | 35°C | 24°C | |
| Heating | 20°C | — | 7°C | 6°C | | |
| (2) This air-conditioner is manufactured and tested in conformity with the ISO. | | | | | | |
| (3) The operation data are applied to the 220/230/240V districts respectively. | | | | | | |
| (4) The refrigerant quantity to be charged includes the refrigerant in 15m connecting piping. (Purging is not required even for the short piping.) | | | | | | |

Adapted to RoHS directive

| Item | | | Model | SRK50ZJX-S | | |
|--|-----------------------------------|------------------------|---|---|---|-----------------------|
| | | | | Indoor unit SRK50ZJX-S | Outdoor unit SRC50ZIX-S | |
| Cooling capacity (1) | | | W | 5000 (700 (Min.) ~ 6200 (Max.)) | | |
| Heating capacity (1) | | | W | 6000 (700 (Min.) ~ 8800 (Max.)) | | |
| Power supply | | | | 1 Phase, 220 ~ 240 V, 50Hz | | |
| Operation data (1) | Power consumption | Cooling | kW | 1.30 (0.2 ~ 2.20) | | |
| | | Heating | | 1.35 (0.2 ~ 2.26) | | |
| | Running current | Cooling | A | 6.0 / 5.7 / 5.5 (220/ 230/ 240 V) | | |
| | | Heating | | 6.2 / 5.9 / 5.7 (220/ 230/ 240 V) | | |
| | Inrush current | | | 6.2 / 5.9 / 5.7 (220/ 230/ 240 V) | | |
| | COP | Cooling | | 3.85 | | |
| | | Heating | | 4.44 | | |
| | Noise level | Cooling | Sound level | dB(A) | Hi : 45 Me : 38 Lo : 26 | |
| Power level | | | dB | | 60 | |
| Heating | | Sound level | | dB(A) | Hi : 45 Me : 38 Lo : 32 | |
| | | Power level | dB | | 62 | |
| Exterior dimensions (Height x Width x Depth) | | | | mm | 309 x 890 x 220 | 640 x 800 (+71) x 290 |
| Exterior appearance (Munsell color) | | | | Fine snow (8.0Y 9.3/0.1) near equivalent | Stucco white (4.2Y 7.5/1.1) near equivalent | |
| Net weight | | | kg | 15 | 43 | |
| Refrigerant equipment | Compressor type & Q'ty | | | — | 5CS130XGB04 (Scroll type) x 1 | |
| | Motor (Starting method) | | kW | — | 0.9 (Line starting) | |
| | Refrigerant oil | | ℓ | 0.48 (RB68A or Freol Alpha 68M) | | |
| | Refrigerant (3) | | kg | R410A 1.4 (Pre-Charged up to the piping length of 15m) | | |
| | Heat exchanger | | | Louver fins & inner grooved tubing | M fins & inner grooved tubing | |
| | Refrigerant control | | | Capillary tubes + Electronic expansion valve | | |
| Deice control | | | Microcomputer control | | | |
| Air handling equipment | Fan type & Q'ty | | | Tangential fan x 1 | Propeller fan x 1 | |
| | Motor | | W | 27 | 34 | |
| | Air flow | Cooling | CMM | Hi : 13.5 Me : 11 Lo : 8 | | |
| | | Heating | | Hi : 16.5 Me : 14.5 Lo : 10.5 | | |
| | Fresh air intake | | | Not possible | | |
| Air filter, Quality / Quantity | | | Polypropylene net (washable) x 2 | | | |
| Shock & vibration absorber | | | | — | Cushion rubber (for compressor) | |
| Electric heater | | | | — | | |
| Operation control | Operation switch | | | Wireless-Remote control | | |
| | Room temperature control | | | Microcomputer thermostat | | |
| | Operation Display | | | RUN : Green, TIMER : Yellow, HI POWER : Green, 3D AUTO : Green, ECONO : Blue | | |
| Safety devices | | | | Compressor overheat protection, Overcurrent protection, Frost protection, Serial signal error protection, Indoor fan motor error protection, Heating overload protection (High pressure control), Cooling overload protection | | |
| Installation data | Refrigerant piping size (O.D) | | mm | Liquid line : φ 6.35 (1/4") Gas line : φ 12.7 (1/2") | | |
| | Connecting method | | | Flare connecting | | |
| | Attached length of piping | | m | Liquid line : 0.55 Gas line : 0.49 | — | |
| | Insulation for piping | | | Necessary (Both sides), independent | | |
| | Refrigerant line (one way) length | | | Max. 30 | | |
| Vertical height difference between outdoor unit and indoor unit | | m | Max. 20 (Outdoor unit is higher) Max. 20 (Outdoor unit is lower) | | | |
| Drain hose | | | | Connectable (VP16) | — | |
| Power cable | | | | — | | |
| Recommended breaker size | | | A | 16 | | |
| Connection wiring | Size x Core number | | | 1.5mm ² x 4 cores (Including earth cable) | | |
| | Connecting method | | | Terminal block (Screw fixing type) | | |
| Accessories (included) | | | | Mounting kit, Clean filter (Allergen clear filter x 1, Photocatalytic washable deodorizing filter x 1) | | |
| Optional parts | | | | Interface kit (SC-BIKN-E) | | |
| Note (1) The data are measured at the following conditions. | | | | The pipe length is 7.5m. | | |
| Operation | Item | Indoor air temperature | | Outdoor air temperature | | Standards |
| | | DB | WB | DB | WB | |
| | Cooling | 27°C | 19°C | 35°C | 24°C | |
| Heating | 20°C | — | 7°C | 6°C | ISO-T1, JIS C 9612 | |
| (2) This air-conditioner is manufactured and tested in conformity with the ISO. (3) The operation data are applied to the 220/230/240V districts respectively. (4) The refrigerant quantity to be charged includes the refrigerant in 15m connecting piping. (Purging is not required even for the short piping.) | | | | | | |

Adapted to RoHS directive

| Item | | | Model | SRK60ZJX-S | | |
|---|-----------------------------------|------------------------|--|---|---|-----------|
| | | | | Indoor unit SRK60ZJX-S | Outdoor unit SRC60ZIX-S | |
| Cooling capacity (1) | | | W | 6000 (800 (Min.)~6800 (Max.)) | | |
| Heating capacity (1) | | | W | 6800 (800 (Min.)~9700 (Max.)) | | |
| Power supply | | | | 1 Phase, 220~240 V, 50Hz | | |
| Operation data (1) | Power consumption | Cooling | kW | 1.86 (0.25~2.30) | | |
| | | Heating | | 1.67 (0.25~2.70) | | |
| | Running current | Cooling | A | 8.5 / 8.2 / 7.8 (220/ 230/ 240 V) | | |
| | | Heating | | 7.7 / 7.3 / 7.0 (220/ 230/ 240 V) | | |
| | Inrush current | | | 8.5 / 8.2 / 7.8 (220/ 230/ 240 V) | | |
| | COP | Cooling | | 3.23 | | |
| | | Heating | | 4.07 | | |
| | Noise level | Cooling | Sound level | dB(A) | Hi : 47 Me : 38 Lo : 26 | 51 |
| Power level | | | dB | 62 | 65 | |
| Heating | | Sound level | dB(A) | Hi : 45 Me : 39 Lo : 33 | 51 | |
| | | Power level | dB | 62 | 65 | |
| Exterior dimensions (Height x Width x Depth) | | | mm | 309 x 890 x 220 | 640 x 800 (+71) x 290 | |
| Exterior appearance (Munsell color) | | | | Fine snow (8.0Y 9.3/0.1) near equivalent | Stucco white (4.2Y 7.5/1.1) near equivalent | |
| Net weight | | | kg | 15 | 43 | |
| Refrigerant equipment | Compressor type & Q'ty | | | — | 5CS130XGB04 (Scroll type) x 1 | |
| | Motor (Starting method) | | kW | — | 0.9 (Line starting) | |
| | Refrigerant oil | | ℓ | 0.48 (RB68A or Freol Alpha 68M) | | |
| | Refrigerant (3) | | kg | R410A 1.4 (Pre-Charged up to the piping length of 15m) | | |
| | Heat exchanger | | | Louver fins & inner grooved tubing | M fins & inner grooved tubing | |
| | Refrigerant control | | | Capillary tubes + Electronic expansion valve | | |
| Deice control | | | Microcomputer control | | | |
| Air handling equipment | Fan type & Q'ty | | | Tangential fan x 1 | Propeller fan x 1 | |
| | Motor | | W | 27 | 34 | |
| | Air flow | Cooling | CMM | Hi : 14.5 Me : 12.5 Lo : 8.5 | | |
| | | Heating | | Hi : 17.0 Me : 15.0 Lo : 11.0 | | |
| | Fresh air intake | | | Not possible | | |
| Air filter, Quality / Quantity | | | Polypropylene net (washable) x 2 | | | |
| Shock & vibration absorber | | | | — | Cushion rubber (for compressor) | |
| Electric heater | | | | — | | |
| Operation control | Operation switch | | | Wireless-Remote control | | |
| | Room temperature control | | | Microcomputer thermostat | | |
| | Operation Display | | | RUN : Green, TIMER : Yellow, HI POWER : Green, 3D AUTO : Green, ECONO : Blue | | |
| Safety devices | | | | Compressor overheat protection, Overcurrent protection, Frost protection, Serial signal error protection, Indoor fan motor error protection, Heating overload protection (High pressure control), Cooling overload protection | | |
| Installation data | Refrigerant piping size (O.D) | | mm | Liquid line : φ 6.35 (1/4") Gas line : φ 12.7 (1/2") | | |
| | Connecting method | | | Flare connecting | | |
| | Attached length of piping | | m | Liquid line : 0.55 Gas line : 0.49 | — | |
| | Insulation for piping | | | Necessary (Both sides), independent | | |
| | Refrigerant line (one way) length | | | Max. 30 | | |
| Vertical height difference between outdoor unit and indoor unit | | m | Max. 20 (Outdoor unit is higher) Max.20 (Outdoor unit is lower) | | | |
| Drain hose | | | | Connectable (VP 16) | — | |
| Power cable | | | | — | | |
| Recommended breaker size | | | A | 16 | | |
| Connection wiring | | Size x Core number | | 1.5mm ² x 4 cores (Including earth cable) | | |
| | | Connecting method | | Terminal block (Screw fixing type) | | |
| Accessories (included) | | | | Mounting kit, Clean filter (Allergen clear filter x 1, Photocatalytic washable deodorizing filter x 1) | | |
| Optional parts | | | | Interface kit (SC-BIKN-E) | | |
| Note (1) The data are measured at the following conditions. | | | | The pipe length is 7.5m. | | |
| Operation | Item | Indoor air temperature | | Outdoor air temperature | | Standards |
| | | DB | WB | DB | WB | |
| | Cooling | 27°C | 19°C | 35°C | 24°C | |
| Heating | 20°C | — | 7°C | 6°C | | |
| (2) This air-conditioner is manufactured and tested in conformity with the ISO. | | | | | | |
| (3) The operation data are applied to the 220/230/240V districts respectively. | | | | | | |
| (4) The refrigerant quantity to be charged includes the refrigerant in 15m connecting piping. (Purging is not required even for the short piping.) | | | | | | |

(2) Floor standing type (SRF)

Adapted to RoHS directive

| Item | | Model | | SRF25ZJX-S | | |
|--|---|---------|---|--|---|------|
| | | | | Indoor unit SRF25ZJX-S | Outdoor unit SRC25ZJX-S | |
| Cooling capacity (1) | | W | | 2500 (900 (Min.)~3200 (Max.)) | | |
| Heating capacity (1) | | W | | 3400 (900 (Min.)~4700 (Max.)) | | |
| Power supply | | | | 1 Phase, 220~240 V, 50Hz | | |
| Operation data (1) | Power consumption | Cooling | kW | 0.521 (0.19~0.82) | | |
| | | Heating | | 0.723 (0.23~1.20) | | |
| | Running current | Cooling | A | 2.6 / 2.5 / 2.4 (220/ 230/ 240 V) | | |
| | | Heating | | 3.6 / 3.4 / 3.3 (220/ 230/ 240 V) | | |
| | Inrush current | | | 3.6 / 3.4 / 3.3 (220/ 230/ 240 V) | | |
| | COP | | Cooling | 4.80 | | |
| | | | Heating | 4.70 | | |
| | Noise level | Cooling | Sound level | dB(A) Hi : 40 Me : 32 Lo : 26 | | 47 |
| | | | Power level | dB | | 51 |
| | | Heating | Sound level | dB(A) Hi : 40 Me : 35 Lo : 28 | | 47 |
| Power level | | | dB | | 51 | |
| Exterior dimensions (Height x Width x Depth) | | mm | | 600 x 860 x 238 | 595 x 780 x 290 | |
| Exterior appearance (Munsell color) | | | | Fine snow (8.0Y 9.3/0.1) near equivalent | Stucco white (4.2Y 7.5/1.1) near equivalent | |
| Net weight | | kg | | 18 | 38 | |
| Refrigerant equipment | Compressor type & Q'ty | | | — | RM-B5077MDE1 (Rotary type) x 1 | |
| | Motor (Starting method) | | kW | — | 0.75 (Line starting) | |
| | Refrigerant oil | | ℓ | 0.35 (DIAMOND FREEZE MA68) | | |
| | Refrigerant (3) | | kg | R410A 1.2 (Pre-Charged up to the piping length of 15m) | | |
| | Heat exchanger | | | Louver fins & inner grooved tubing | M fins & inner grooved tubing | |
| | Refrigerant control | | | Capillary tubes + Electronic expansion valve | | |
| | Deice control | | | Microcomputer control | | |
| Air handling equipment | Fan type & Q'ty | | | Turbo fan x 1 | Propeller fan x 1 | |
| | Motor | | W | 40 | 24 | |
| | Air flow | Cooling | CMM | Hi : 9.0 Me : 7.6 Lo : 5.8 | | 29.5 |
| | | Heating | | Hi : 10.5 Me : 8.2 Lo : 6.6 | | 27.0 |
| | Fresh air intake | | | Impossible | | — |
| Air filter, Quality / Quantity | | | Polypropylene net (washable) x 1 | | — | |
| Shock & vibration absorber | | | — | | Cushion rubber (for compressor) | |
| Electric heater | | | — | | — | |
| Operation control | Operation switch | | | Wireless-Remote control | | |
| | Room temperature control | | | Microcomputer thermostat | | |
| | Operation Display | | | RUN : Green, TIMER : Yellow, HI POWER : Green, AIR OUTLET SELECTION : Green, ECONO : Green | | |
| Safety devices | | | Compressor overheat protection, Overcurrent protection, Frost protection, Serial signal error protection, Indoor fan motor error protection, Heating overload protection (High pressure control), Cooling overload protection | | | |
| Installation data | Refrigerant piping size (O.D) | | mm | Liquid line : φ 6.35 (1/4") Gas line : φ 9.52 (3/8") | | |
| | Connecting method | | | Flare connecting | | |
| | Attached length of piping | | m | — | | |
| | Insulation for piping | | | Necessary (Both sides), independent | | |
| | Refrigerant line (one way) length | | | Max. 15 | | |
| | Vertical height difference between outdoor unit and indoor unit | | m | Max. 10 (Outdoor unit is higher) Max. 10 (Outdoor unit is lower) | | |
| Drain hose | | | Connectable (VP16) | | — | |
| Power cable | | | — | | — | |
| Recommended breaker size | | A | 16 | | | |
| Connection wiring | Size x Core number | | 1.5mm ² x 4 cores (Including earth cable) | | | |
| | Connecting method | | Terminal block (Screw fixing type) | | | |
| Accessories (included) | | | Mounting kit, Clean filter (Natural enzyme filter x 1, Photocatalytic washable deodorizing filter x 1) | | | |
| Optional parts | | | Interface kit (SC-BIKN-E) | | | |

Note (1) The data are measured at the following conditions.

The pipe length is 7.5m.

| Operation | Indoor air temperature | | Outdoor air temperature | | Standards |
|-----------|------------------------|------|-------------------------|------|--------------------|
| | DB | WB | DB | WB | |
| Cooling | 27°C | 19°C | 35°C | 24°C | ISO-T1, JIS C 9612 |
| Heating | 20°C | — | 7°C | 6°C | |

(2) This air-conditioner is manufactured and tested in conformity with the ISO.

(3) The operation data are applied to the 220/230/240V districts respectively.

(4) The refrigerant quantity to be charged includes the refrigerant in 15m connecting piping.

(Purging is not required even for the short piping.)

Adapted to RoHS directive

| Item | | | Model | SRF35ZJX-S | |
|---|-----------------------------------|------------------------|---|---|---|
| | | | | Indoor unit SRF35ZJX-S | Outdoor unit SRC35ZJX-S |
| Cooling capacity (1) | | | W | 3500 (900 (Min.) ~ 4100 (Max.)) | |
| Heating capacity (1) | | | W | 4500 (900 (Min.) ~ 5100 (Max.)) | |
| Power supply | | | | 1 Phase, 220 ~ 240 V, 50Hz | |
| Operation data (1) | Power consumption | Cooling | kW | 0.890 (0.19 ~ 1.26) | |
| | | Heating | | 1.124 (0.23 ~ 1.43) | |
| | Running current | Cooling | A | 4.1 / 3.9 / 3.7 (220/ 230/ 240 V) | |
| | | Heating | | 5.2 / 4.9 / 4.7 (220/ 230/ 240 V) | |
| | Inrush current | | | 5.2 / 4.9 / 4.7 (220/ 230/ 240 V) | |
| | COP | Cooling | | 3.93 | |
| | | Heating | | 4.00 | |
| | Noise level | Cooling | Sound level | dB(A) | Hi : 41 Me : 34 Lo : 28 |
| Power level | | | dB | 52 | 63 |
| Heating | | Sound level | dB(A) | Hi : 41 Me : 36 Lo : 31 | 50 |
| | | Power level | dB | 52 | 62 |
| Exterior dimensions (Height x Width x Depth) | | | mm | 600 x 860 x 238 | 595 x 780 x 290 |
| Exterior appearance (Munsell color) | | | | Fine snow (8.0Y 9.3/0.1) near equivalent | Stucco white (4.2Y 7.5/1.1) near equivalent |
| Net weight | | | kg | 19 | 38 |
| Refrigerant equipment | Compressor type & Q'ty | | | — | RM-B5077MDE1 (Rotary type) x 1 |
| | Motor (Starting method) | | kW | — | 0.90 (Line starting) |
| | Refrigerant oil | | ℓ | 0.35 (DIAMOND FREEZE MA68) | |
| | Refrigerant (3) | | kg | R410A 1.2 (Pre-Charged up to the piping length of 15m) | |
| | Heat exchanger | | | Louver fins & inner grooved tubing | M fins & inner grooved tubing |
| | Refrigerant control | | | Capillary tubes + Electronic expansion valve | |
| Deice control | | | Microcomputer control | | |
| Air handling equipment | Fan type & Q'ty | | | Turbo fan x 1 | Propeller fan x 1 |
| | Motor | | W | 40 | 24 |
| | Air flow | Cooling | CMM | Hi : 9.2 Me : 7.8 Lo : 6.4 | |
| | | Heating | | Hi : 10.7 Me : 8.3 Lo : 7.4 | |
| | Fresh air intake | | | Impossible | |
| Air filter, Quality / Quantity | | | Polypropylene net (washable) x 1 | | |
| Shock & vibration absorber | | | | — | Cushion rubber (for compressor) |
| Electric heater | | | | — | |
| Operation control | Operation switch | | | Wireless-Remote control | |
| | Room temperature control | | | Microcomputer thermostat | |
| | Operation Display | | | RUN : Green, TIMER : Yellow, HI POWER : Green, AIR OUTLET SELECTION : Green, ECONO : Green | |
| Safety devices | | | | Compressor overheat protection, Overcurrent protection, Frost protection, Serial signal error protection, Indoor fan motor error protection, Heating overload protection (High pressure control), Cooling overload protection | |
| Installation data | Refrigerant piping size (O.D) | | mm | Liquid line : φ 6.35 (1/4") Gas line : φ 9.52 (3/8") | |
| | Connecting method | | | Flare connecting | |
| | Attached length of piping | | m | — | — |
| | Insulation for piping | | | Necessary (Both sides), independent | |
| | Refrigerant line (one way) length | | | Max. 15 | |
| Vertical height difference between outdoor unit and indoor unit | | m | Max. 10 (Outdoor unit is higher) Max. 10 (Outdoor unit is lower) | | |
| Drain hose | | | | Connectable (VP16) | — |
| Power cable | | | | — | |
| Recommended breaker size | | | A | 16 | |
| Connection wiring | | Size x Core number | | 1.5mm ² x 4 cores (Including earth cable) | |
| | | Connecting method | | Terminal block (Screw fixing type) | |
| Accessories (included) | | | | Mounting kit, Clean filter (Natural enzyme filter x 1, Photocatalytic washable deodorizing filter x 1) | |
| Optional parts | | | | Interface kit (SC-BIKN-E) | |
| Note (1) The data are measured at the following conditions. | | | | The pipe length is 7.5m. | |
| Operation | Item | Indoor air temperature | | Outdoor air temperature | |
| | | DB | WB | DB | WB |
| | Cooling | 27°C | 19°C | 35°C | 24°C |
| Heating | 20°C | — | 7°C | 6°C | |
| (2) This air-conditioner is manufactured and tested in conformity with the ISO. | | | | | |
| (3) The operation data are applied to the 220/230/240V districts respectively. | | | | | |
| (4) The refrigerant quantity to be charged includes the refrigerant in 15m connecting piping. (Purging is not required even for the short piping.) | | | | | |

Adapted to RoHS directive

| Item | | | Model | SRF50ZJX-S | | |
|--|-----------------------------------|------------------------|---|---|---|-----------|
| | | | | Indoor unit SRF50ZJX-S | Outdoor unit SRC50ZIX-S | |
| Cooling capacity (1) | | | W | 5000 (700 (Min.) ~ 5500 (Max.)) | | |
| Heating capacity (1) | | | W | 6000 (700 (Min.) ~ 7000 (Max.)) | | |
| Power supply | | | | 1 Phase, 220 ~ 240 V, 50Hz | | |
| Operation data (1) | Power consumption | Cooling | kW | 1.390 (0.2 ~ 1.80) | | |
| | | Heating | | 1.540 (0.2 ~ 2.25) | | |
| | Running current | Cooling | A | 6.4 / 6.1 / 5.8 (220/ 230/ 240 V) | | |
| | | Heating | | 7.1 / 6.8 / 6.5 (220/ 230/ 240 V) | | |
| | Inrush current | | | 7.1 / 6.8 / 6.5 (220/ 230/ 240 V) | | |
| | COP | Cooling | | 3.60 | | |
| | | Heating | | 3.90 | | |
| | Noise level | Cooling | Sound level | dB(A) | Hi : 47 Me : 39 Lo : 30 | |
| Power level | | | 58 | | | |
| Heating | | Sound level | dB(A) | Hi : 47 Me : 39 Lo : 32 | | |
| | | Power level | | 58 | | |
| Exterior dimensions (Height x Width x Depth) | | | mm | 600 x 860 x 238 | 640 x 800 x 290 | |
| Exterior appearance (Munsell color) | | | | Fine snow (8.0Y 9.3/0.1) near equivalent | Stucco white (4.2Y 7.5/1.1) near equivalent | |
| Net weight | | | kg | 19 | 43 | |
| Refrigerant equipment | Compressor type & Q'ty | | | — | 5CS130XGB04 (Scroll type) x 1 | |
| | Motor (Starting method) | | kW | — | 0.9 (Line starting) | |
| | Refrigerant oil | | ℓ | 0.48 (RB68A or Freol Alpha 68M) | | |
| | Refrigerant (3) | | kg | R410A 1.4 (Pre-Charged up to the piping length of 15m) | | |
| | Heat exchanger | | | Louver fins & inner grooved tubing | M fins & inner grooved tubing | |
| | Refrigerant control | | | Capillary tubes + Electronic expansion valve | | |
| Deice control | | | Microcomputer control | | | |
| Air handling equipment | Fan type & Q'ty | | | Turbo fan x 1 | Propeller fan x 1 | |
| | Motor | | W | 40 | 34 | |
| | Air flow | Cooling | CMM | Hi : 11.5 Me : 9.6 Lo : 6.6 | | |
| | | Heating | | Hi : 12.0 Me : 10.0 Lo : 7.6 | | |
| | Fresh air intake | | | Impossible | | |
| Air filter, Quality / Quantity | | | Polypropylene net (washable) x 1 | | | |
| Shock & vibration absorber | | | | — | Cushion rubber (for compressor) | |
| Electric heater | | | | — | | |
| Operation control | Operation switch | | | Wireless-Remote control | | |
| | Room temperature control | | | Microcomputer thermostat | | |
| | Operation Display | | | RUN : Green, TIMER : Yellow, HI POWER : Green, AIR OUTLET SELECTION : Green, ECONO : Green | | |
| Safety devices | | | | Compressor overheat protection, Overcurrent protection, Frost protection, Serial signal error protection, Indoor fan motor error protection, Heating overload protection (High pressure control), Cooling overload protection | | |
| Installation data | Refrigerant piping size (O.D) | | mm | Liquid line : φ 6.35 (1/4") Gas line : φ 12.7 (1/2") | | |
| | Connecting method | | | Flare connecting | | |
| | Attached length of piping | | m | — | — | |
| | Insulation for piping | | | Necessary (Both sides), independent | | |
| | Refrigerant line (one way) length | | | Max. 30 | | |
| Vertical height difference between outdoor unit and indoor unit | | m | Max. 20 (Outdoor unit is higher) Max. 20 (Outdoor unit is lower) | | | |
| Drain hose | | | | Connectable (VP16) | — | |
| Power cable | | | | — | | |
| Recommended breaker size | | | A | 16 | | |
| Connection wiring | Size x Core number | | | 1.5mm ² x 4 cores (Including earth cable) | | |
| | Connecting method | | | Terminal block (Screw fixing type) | | |
| Accessories (included) | | | | Mounting kit, Clean filter (Natural enzyme filter x 1, Photocatalytic washable deodorizing filter x 1) | | |
| Optional parts | | | | Interface kit (SC-BIKN-E) | | |
| Note (1) The data are measured at the following conditions. | | | | The pipe length is 7.5m. | | |
| Operation | Item | Indoor air temperature | | Outdoor air temperature | | Standards |
| | | DB | WB | DB | WB | |
| | Cooling | 27°C | 19°C | 35°C | 24°C | |
| Heating | 20°C | — | 7°C | 6°C | ISO-T1, JIS C 9612 | |
| (2) This air-conditioner is manufactured and tested in conformity with the ISO. (3) The operation data are applied to the 220/230/240V districts respectively. (4) The refrigerant quantity to be charged includes the refrigerant in 15m connecting piping. (Purging is not required even for the short piping.) | | | | | | |

(3) Ceiling concealed type (SRR)

Adapted to RoHS directive

| Item | | Model | | SRR25ZJ-S | | |
|--|---|---------|---|---|---|----|
| | | | | Indoor unit SRR25ZJ-S | Outdoor unit SRC25ZJX-S | |
| Cooling capacity (1) | | W | | 2500 (900 (Min.)~3200 (Max.)) | | |
| Heating capacity (1) | | W | | 3400 (900 (Min.)~4700 (Max.)) | | |
| Power supply | | | | 1 Phase, 220~240 V, 50Hz | | |
| Operation data (1) | Power consumption | Cooling | kW | 0.580 (0.19~0.82) | | |
| | | Heating | | 0.750 (0.23~1.20) | | |
| | Running current | Cooling | A | 2.9 / 2.8 / 2.7 (220/ 230/ 240 V) | | |
| | | Heating | | 3.7 / 3.6 / 3.4 (220/ 230/ 240 V) | | |
| | Inrush current | | | 3.7 / 3.6 / 3.4 (220/ 230/ 240 V) | | |
| | COP | Cooling | | 4.31 | | |
| | | Heating | | 4.53 | | |
| | Noise level | Cooling | Sound level | dB(A) | Hi : 40 Me : 35 Lo : 29 | 47 |
| | | | Power level | dB | 54 | |
| | | Heating | Sound level | dB(A) | Hi: 41 Me: 38 Lo: 31 | 47 |
| Power level | | | dB | 55 | | |
| Exterior dimensions (Height x Width x Depth) | | mm | | 230 x 740 x 455 | 595 x 780 x 290 | |
| Exterior appearance (Munsell color) | | | | — | Stucco white (4.2Y 7.5/1.1) near equivalent | |
| Net weight | | kg | | 22 | 38 | |
| Refrigerant equipment | Compressor type & Q'ty | | | — | RM-B5077MDE1 (Rotary type) x 1 | |
| | Motor (Starting method) | | kW | — | 0.75 (Line starting) | |
| | Refrigerant oil | | ℓ | 0.35 (DIAMOND FREEZE MA68) | | |
| | Refrigerant (3) | | kg | R410A 1.2 (Pre-Charged up to the piping length of 15m) | | |
| | Heat exchanger | | | Louver fins & inner grooved tubing | M fins & inner grooved tubing | |
| | Refrigerant control | | | Capillary tubes + Electronic expansion valve | | |
| | Deice control | | | Microcomputer control | | |
| Air handling equipment | Fan type & Q'ty | | | Centrifugal fan x 2 | Propeller fan x 1 | |
| | Motor | | W | 51 | 24 | |
| | Air flow | Cooling | CMM | Hi : 8.5 Me : 7.0 Lo : 5.0 | | |
| | | Heating | | Hi : 10.0 Me : 9.0 Lo : 6.5 | | |
| | Fresh air intake | | | Not possible | | |
| Air filter, Quality / Quantity | | | Polypropylene net x 1 | | | |
| Shock & vibration absorber | | | — | Cushion rubber (for compressor) | | |
| Electric heater | | | — | — | | |
| Operation control | Operation switch | | | Wireless-Remote control | | |
| | Room temperature control | | | Microcomputer thermostat | | |
| | Operation Display | | | RUN : Green, TIMER : Yellow, HI POWER : Green, ECONO : Green | | |
| Safety devices | | | Compressor overheat protection, Overcurrent protection, Drain error protection Frost protection, Serial signal error protection, Indoor fan motor error protection, Heating overload protection(High pressure control), Cooling overload protection | | | |
| Installation data | Refrigerant piping size (O.D) | | mm | Liquid line : ϕ 6.35 (1/4") Gas line : ϕ 9.52 (3/8") | | |
| | Connecting method | | | Flare connecting | | |
| | Attached length of piping | | m | — | | |
| | Insulation for piping | | | Necessary (Both sides), independent | | |
| | Refrigerant line (one way) length | | | Max. 15 | | |
| | Vertical height difference between outdoor unit and indoor unit | | m | Max. 10 (Outdoor unit is higher) Max. 10 (Outdoor unit is lower) | | |
| Drain hose | | | Connectable (VP16) | — | | |
| Power cable | | | — | | | |
| Recommended breaker size | | A | 16 | | | |
| Connection wiring | Size x Core number | | 1.5mm ² x 4 cores (Including earth cable) | | | |
| | Connecting method | | Terminal block (Screw fixing type) | | | |
| Accessories (included) | | | Mounting kit | | | |
| Optional parts | | | Wired remote control, Interface kit (SC-BIKN-E) | | | |

Note (1) The data are measured at the following conditions.

The pipe length is 7.5m.

| Operation | Item | Indoor air temperature | | Outdoor air temperature | | Standards |
|-----------|------|------------------------|------|-------------------------|------|--------------------|
| | | DB | WB | DB | WB | |
| Cooling | | 27°C | 19°C | 35°C | 24°C | ISO-T1, JIS C 9612 |
| Heating | | 20°C | — | 7°C | 6°C | |

(2) This air-conditioner is manufactured and tested in conformity with the ISO.

(3) The operation data are applied to the 220/230/240V districts respectively.

(4) The refrigerant quantity to be charged includes the refrigerant in 15m connecting piping.

(Purging is not required even for the short piping.)

Adapted to RoHS directive

| Item | | | Model | SRR35ZJ-S | | |
|--|-----------------------------------|------------------------|---|--|---|-----------|
| | | | | Indoor unit SRR35ZJ-S | Outdoor unit SRC35ZJX-S | |
| Cooling capacity (1) | | | W | 3500 (900 (Min.)~4100 (Max.)) | | |
| Heating capacity (1) | | | W | 4200 (900 (Min.)~5100 (Max.)) | | |
| Power supply | | | | 1 Phase, 220~240 V, 50Hz | | |
| Operation data (1) | Power consumption | Cooling | kW | 1.080 (0.19~1.26) | | |
| | | Heating | | 1.100 (0.23~1.43) | | |
| | Running current | Cooling | A | 5.0 / 4.7 / 4.5 (220/ 230/ 240 V) | | |
| | | Heating | | 5.1 / 4.8 / 4.6 (220/ 230/ 240 V) | | |
| | Inrush current | | | 5.1 / 4.8 / 4.6 (220/ 230/ 240 V) | | |
| | COP | | Cooling | 3.24 | | |
| | | | Heating | 3.82 | | |
| | Noise level | Cooling | Sound level | dB(A) | Hi: 42 Me: 37 Lo: 30 | 50 |
| Power level | | | dB | 56 | 62 | |
| Heating | | Sound level | dB(A) | Hi: 43 Me: 40 Lo: 32 | 50 | |
| | | Power level | dB | 57 | 62 | |
| Exterior dimensions (Height x Width x Depth) | | | mm | 230 x 740 x 455 | 595 x 780 x 290 | |
| Exterior appearance (Munsell color) | | | | — | Stucco white (4.2Y 7.5/1.1) near equivalent | |
| Net weight | | | kg | 22 | 38 | |
| Refrigerant equipment | Compressor type & Q'ty | | | — | RM-B5077MDE1 (Rotary type) x 1 | |
| | Motor (Starting method) | | kW | — | 0.75 (Line starting) | |
| | Refrigerant oil | | ℓ | 0.35 (DIAMOND FREEZE MA68) | | |
| | Refrigerant (3) | | kg | R410A 1.2 (Pre-Charged up to the piping length of 15m) | | |
| | Heat exchanger | | | Louver fins & inner grooved tubing | M fins & inner grooved tubing | |
| | Refrigerant control | | | Capillary tubes + Electronic expansion valve | | |
| Deice control | | | Microcomputer control | | | |
| Air handling equipment | Fan type & Q'ty | | | Centrifugal fan x 2 | Propeller fan x 1 | |
| | Motor | | W | 51 | 24 | |
| | Air flow | Cooling | CMM | Hi : 9.0 Me : 7.5 Lo : 5.5 | | |
| | | Heating | | Hi : 11.0 Me : 9.5 Lo : 7.0 | | |
| | Fresh air intake | | | Not possible | | |
| Air filter, Quality / Quantity | | | Polypropylene net x 1 | | | |
| Shock & vibration absorber | | | | — | Cushion rubber (for compressor) | |
| Electric heater | | | | — | | |
| Operation control | Operation switch | | | Wireless-Remote control | — | |
| | Room temperature control | | | Microcomputer thermostat | — | |
| | Operation Display | | | RUN : Green, TIMER : Yellow, HI POWER : Green, ECONO : Green | | |
| Safety devices | | | | Compressor overheat protection, Overcurrent protection, Drain error protection Frost protection, Serial signal error protection, Indoor fan motor error protection, Heating overload protection (High pressure control), Cooling overload protection | | |
| Installation data | Refrigerant piping size (O.D) | | mm | Liquid line : φ 6.35 (1/4") Gas line : φ 9.52 (3/8") | | |
| | Connecting method | | | Flare connecting | | |
| | Attached length of piping | | m | — | — | |
| | Insulation for piping | | | Necessary (Both sides), independent | | |
| | Refrigerant line (one way) length | | | Max. 15 | | |
| Vertical height difference between outdoor unit and indoor unit | | m | Max. 10 (Outdoor unit is higher) Max. 10 (Outdoor unit is lower) | | | |
| Drain hose | | | | Connectable (VP16) | — | |
| Power cable | | | | — | | |
| Recommended breaker size | | | A | 16 | | |
| Connection wiring | | Size x Core number | | 1.5mm ² x 4 cores (Including earth cable) | | |
| | | Connecting method | | Terminal block (Screw fixing type) | | |
| Accessories (included) | | | | Mounting kit | | |
| Optional parts | | | | Wired remote control, Interface kit (SC-BIKN-E) | | |
| Note (1) The data are measured at the following conditions. | | | | The pipe length is 7.5m. | | |
| Operation | Item | Indoor air temperature | | Outdoor air temperature | | Standards |
| | | DB | WB | DB | WB | |
| | Cooling | 27°C | 19°C | 35°C | 24°C | |
| Heating | 20°C | — | 7°C | 6°C | | |
| (2) This air-conditioner is manufactured and tested in conformity with the ISO. | | | | | | |
| (3) The operation data are applied to the 220/230/240V districts respectively. | | | | | | |
| (4) The refrigerant quantity to be charged includes the refrigerant in 15m connecting piping. (Purging is not required even for the short piping.) | | | | | | |

(4) Ceiling cassette-4way compact type (FDTC)

Adapted to RoHS directive

| Model | | FDTC25VD | |
|--|-------|--|---|
| | | Indoor unit FDTC25VD Panel TC-PSA-25W-E | Outdoor unit SRC25ZJX-S |
| Item | | | |
| Power source | | | 220/230/240V~50Hz |
| Operation data | | Cooling | Heating |
| Nominal capacity | kW | 2.55 [0.9 (Min.)~3.2 (Max.)] | 3.45 [0.9 (Min.)~4.7 (Max.)] |
| Power consumption | kW | 0.6 | 0.84 |
| Running current | A | 3.0/2.9/2.8 | 4.1/4.0/3.8 |
| Power factor | % | 91 | 92 |
| Inrush current | A | 4.1 | |
| Sound Pressure Level | dB(A) | Cooling P-Hi : 38 Hi : 36 Me : 32 Lo : 29 Heating P-Hi : 39 Hi : 38 Me : 33 Lo : 29.5 | 47 |
| Exterior dimensions Height x Width x Depth | mm | Unit 248 x 570 x 570 Panel 35 x 700 x 700 | 595 x 780 x 290 |
| Exterior appearance (Munsell color) | | Plaster White (6.8Y8.9/0.2) near equivalent | Stucco White (4.2Y7.5/1.1) near equivalent |
| Net weight | kg | UNIT 15 PANEL 3.5 | 38 |
| Refrigerant equipment Compressor type & Q'ty | | — | RM-B5077MDE1 (Rotary type) x 1 |
| Starting method | | — | Direct line start |
| Refrigerant oil | ℓ | — | 0.35 (DIAMOND FREEZE MA68) |
| Heat exchanger | | Louver fin & inner grooved tubing | M shape fin & inner grooved tubing |
| Refrigerant control | | — | Electronic expansion valve |
| Air handling equipment Fan type & Q'ty | | Turbo fan x 1 | Propeller fan x 1 |
| Motor <Starting method> | W | 33 <Direct line start> | 24 <Direct line start> |
| Air flow (Standard) | CMM | Cooling P-Hi : 10 Hi : 9 Me : 8 Lo : 6.5 Heating P-Hi : 10.5 Hi : 9.5 Me : 8.5 Lo : 7 | Cooling 29.5 Heating 27.0 |
| Available static pressure | Pa | 0 | — |
| Outdoor air intake | | Not possible | — |
| Air filter, Q'ty | | Pocket plastic net x 1 (Washable) | — |
| Shock & vibration absorber | | Rubber sleeve (for fan motor) | Rubber sleeve (for Compressor) |
| Insulation (noise & heat) | | Polyurethane form | — |
| Electric heater | W | — | — |
| Remote controller | | wired : RC-E4 (option) wireless : RCN-TC-24W-ER (option) | |
| Room temperature control | | Thermostat by electronics | — |
| Safety equipment | | Overload protection for fan motor Frost protection thermostat | Internal thermostat for fan motor Abnormal discharge temperature protection. |
| Installation data Refrigerant piping size | mm | Liquid line : I/U φ 6.35 (1/4") Pipe φ 6.35 (1/4") x 0.8 O/U φ 6.35 (1/4") Gas line : φ 9.52 (3/8") φ 9.52 (3/8") x 0.8 φ 9.52 (3/8") | |
| Connecting method | | Flare piping | Flare piping |
| Refrigerant line (one way) length | | Max. 15m | |
| Vertical height difference between outdoor unit and indoor unit | | Max. 10m (Outdoor unit is higher) Max. 10m (Outdoor unit is lower) | |
| Refrigerant Quantity | | R410A 1.2kg in outdoor unit (incl. the amount for the piping of : 15m) | |
| Drain pump | | Built-in Drain pump | — |
| Drain | | Hose Connectable with VP20 | — |
| Insulation for piping | | Necessary (Both liquid & Gas lines) | |
| Standard Accessories | | Mounting kit, Drain hose | Drain elbow, Drain hole grommet |

Notes (1) The data are measured at the following conditions when the air flow is high mode.

| Item | Indoor air temperature | | Outdoor air temperature | |
|---------|------------------------|------|-------------------------|------|
| | DB | WB | DB | WB |
| Cooling | 27°C | 19°C | 35°C | 24°C |
| Heating | 20°C | | 7°C | 6°C |

(2) This packaged air-conditioner is manufactured and tested in conformity with the ISO.

(3) Sound pressure level indicates the value in an anechoic chamber. During operation these value are somewhat higher due to ambient temperature.

(4) The operation data indicates when the air-conditioner is operated at 220/230/240V 50Hz.

(5) When wireless remote controller is used, fan is 3 speed setting (Hi-Me-Lo) only.

Adapted to RoHS directive

| Item | Model | FDTC35VD | |
|--|-------|---|---|
| | | Indoor unit FDTC35VD | Outdoor unit SRC35ZJX-S |
| | | Panel TC-PSA-25W-E | |
| Power source | | 220/230/240V ~50Hz | |
| Operation data | | Cooling | Heating |
| Nominal capacity | kW | 3.6 [0.9 (Min.) ~ 4.1 (Max.)] | |
| Power consumption | kW | 1.07 | |
| Running current | A | 4.9/4.7/4.5 | |
| Power factor | % | 99 | |
| Inrush current | A | 5.3 | |
| Sound Pressure Level | dB(A) | Cooling P-Hi : 41 Hi : 40 Me : 36 Lo : 30 Heating P-Hi : 43 Hi : 42 Me : 35 Lo : 32 | 50 |
| Exterior dimensions Height x Width x Depth | mm | Unit 248 x 570 x 570 Panel 35 x 700 x 700 | 595 x 780 x 290 |
| Exterior appearance (Munsell color) | | Plaster White (6.8Y8.9/0.2) near equivalent | Stucco White (4.2Y7.5/1.1) near equivalent |
| Net weight | kg | UNIT 15 PANEL 3.5 | |
| Refrigerant equipment Compressor type & Q'ty | | — | RM-B5077MDE1 (Rotary type) x 1 |
| Starting method | | — | Direct line start |
| Refrigerant oil | ℓ | — | 0.35 (DIAMOND FREEZE MA68) |
| Heat exchanger | | Louver fin & inner grooved tubing | M shape fin & inner grooved tubing |
| Refrigerant control | | — | Electronic expansion valve |
| Air handling equipment Fan type & Q'ty | | Turbo fan x 1 | Propeller fan x 1 |
| Motor <Starting method> | W | 33 <Direct line start> | 24 <Direct line start> |
| Air flow (Standard) | CMM | Cooling P-Hi : 11 Hi : 9.5 Me : 9 Lo : 7 Heating P-Hi : 11.5 Hi : 10.0 Me : 9 Lo : 8 | Cooling 32.5 Heating 29.5 |
| Available static pressure | Pa | 0 | |
| Outdoor air intake | | Not possible | |
| Air filter, Q'ty | | Pocket plastic net x 1 (Washable) | |
| Shock & vibration absorber | | Rubber sleeve (for fan motor) | Rubber sleeve (for Compressor) |
| Insulation (noise & heat) | | Polyurethane form | |
| Electric heater | W | — | |
| Remote controller | | wired : RC-E4 (option) wireless : RCN-TC-24W-ER (option) | |
| Room temperature control | | Thermostat by electronics | — |
| Safety equipment | | Overload protection for fan motor Frost protection thermostat | Internal thermostat for fan motor Abnormal discharge temperature protection. |
| Installation data | mm | Liquid line : I/U φ 6.35 (1/4") Pipe φ 6.35 (1/4") x 0.8 O/U φ 6.35 (1/4") | |
| Refrigerant piping size | | Gas line : φ 9.52 (3/8") φ 9.52 (3/8") x 0.8 | φ 9.52 (3/8") |
| Connecting method | | Flare piping | Flare piping |
| Refrigerant line (one way) length | | Max. 15m | |
| Vertical height difference between outdoor unit and indoor unit | | Max. 10m (Outdoor unit is higher) Max. 10m (Outdoor unit is lower) | |
| Refrigerant Quantity | | R410A 1.2kg in outdoor unit (incl. the amount for the piping of : 15m) | |
| Drain pump | | Built-in Drain pump | — |
| Drain | | Hose Connectable with VP20 | — |
| Insulation for piping | | Necessary (Both liquid & Gas lines) | |
| Standard Accessories | | Mounting kit, Drain hose | Drain elbow, Drain hole grommet |

Notes (1) The data are measured at the following conditions when the air flow is high mode.

| Item | Indoor air temperature | | Outdoor air temperature | |
|---------|------------------------|------|-------------------------|------|
| | DB | WB | DB | WB |
| Cooling | 27°C | 19°C | 35°C | 24°C |
| Heating | 20°C | | 7°C | 6°C |

(2) This packaged air-conditioner is manufactured and tested in conformity with the ISO.

(3) Sound pressure level indicates the value in an anechoic chamber. During operation these value are somewhat higher due to ambient temperature.

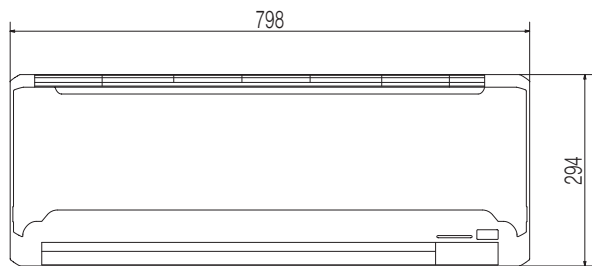
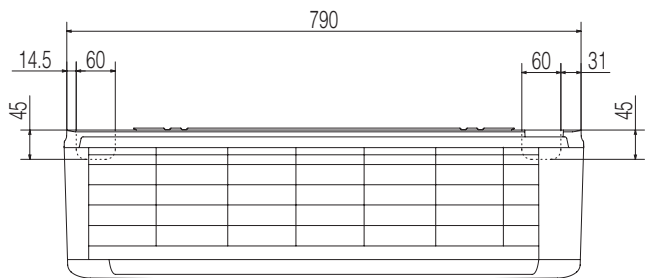
(4) The operation data indicates when the air-conditioner is operated at 220/230/240V 50Hz.

(5) When wireless remote controller is used, fan is 3 speed setting (Hi-Me-Lo) only.

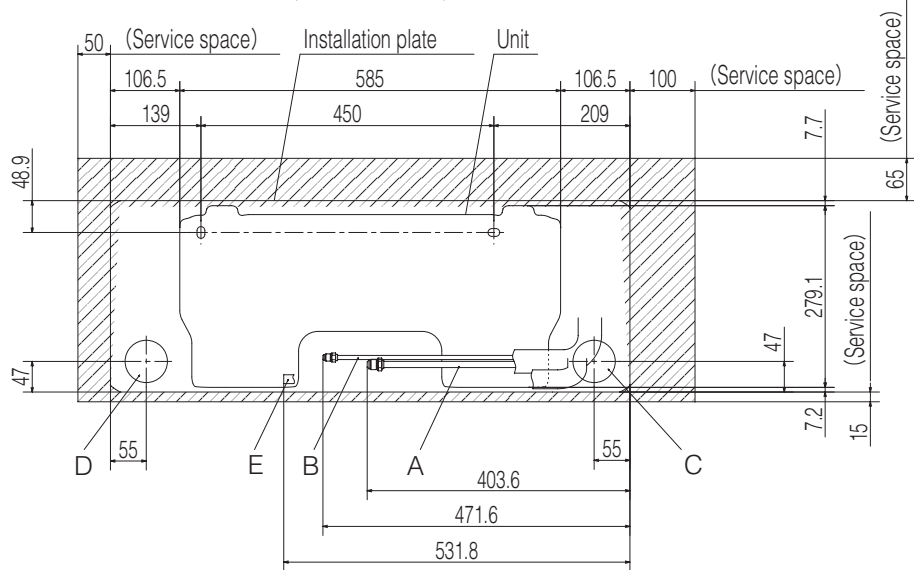
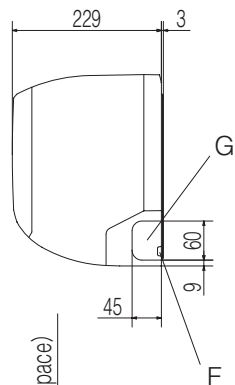
2. EXTERIOR DIMENSIONS

(1) Indoor units
Model SRK50ZJ-S

| Symbol | Content | | |
|--------|------------------------------------|----------------------------|----------------------------|
| A | Gas piping | Model 20~35 | $\phi 9.52$ (3/8") (Flare) |
| | | 50 | $\phi 12.7$ (1/2") (Flare) |
| B | Liquid piping | $\phi 6.35$ (1/4") (Flare) | |
| C | Hole on wall for right rear piping | ($\phi 65$) | |
| D | Hole on wall for left rear piping | ($\phi 65$) | |
| E | Drain hose | VP16 | |
| F | Outlet for wiring | | |
| G | Outlet for piping (on both side) | | |

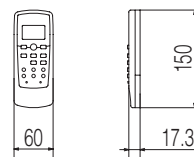


Outlet for down piping
(Refer to the above view)

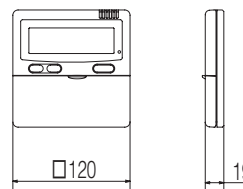


Space for installation and service when viewing from the front

Wireless remote controller



Wired - remote controller
(Option)

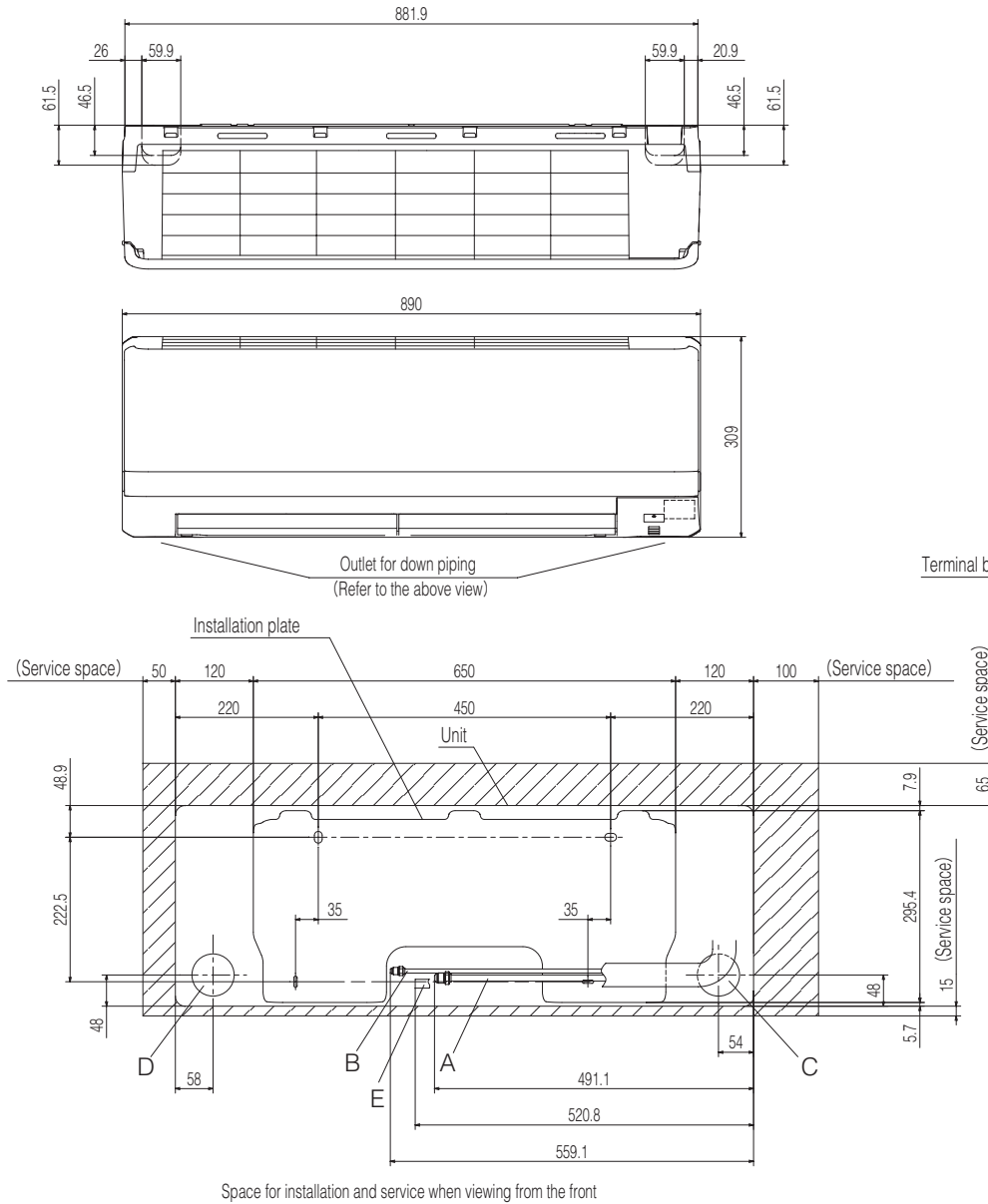


- Notes (1) The model name label is attached on the underside of the panel.
(2) It takes the interface kit (SC-BIKN-E) to connect the wired remote controller.

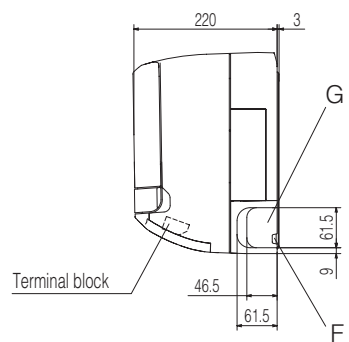
Unit:mm

RLA000Z051

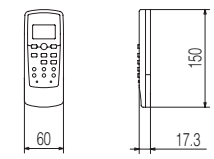
RKY000Z053



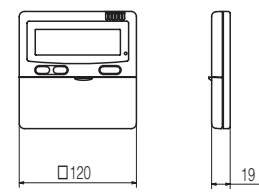
| Symbol | Content | | |
|--------|------------------------------------|-----------------------|-----------------------|
| A | Gas piping | Model 20,25,35 | φ 9.52 (3/8") (Flare) |
| | | Model 50,60 | φ 12.7 (1/2") (Flare) |
| B | Liquid piping | φ 6.35 (1/4") (Flare) | |
| C | Hole on wall for right rear piping | (φ 65) | |
| D | Hole on wall for left rear piping | (φ 65) | |
| E | Drain hose | VP16 | |
| F | Outlet for wiring | | |
| G | Outlet for piping (on both side) | | |



Wireless remote controller



Wired - remote controller (Option)

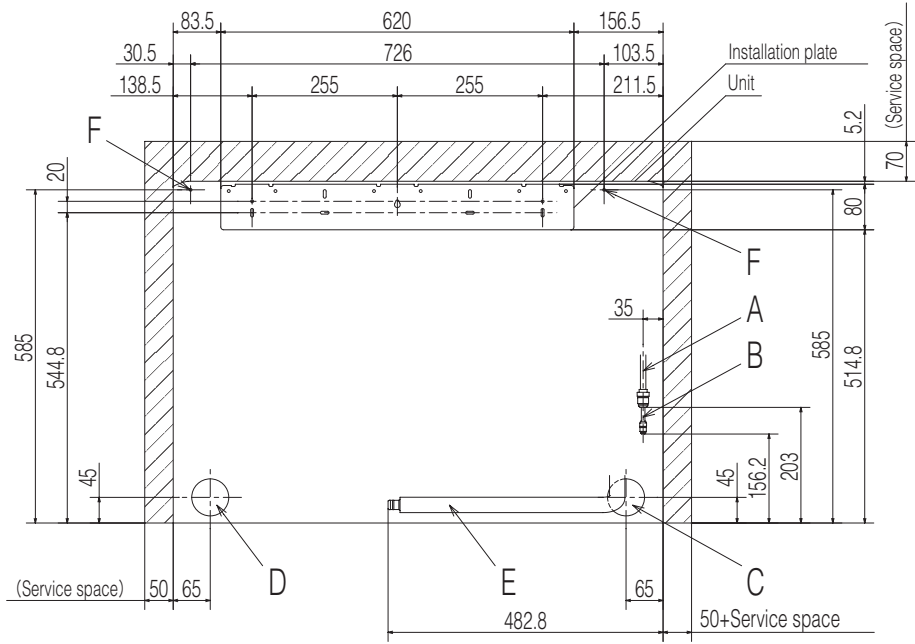
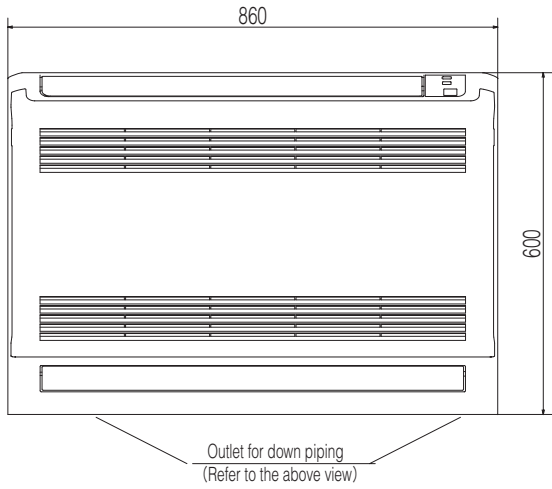
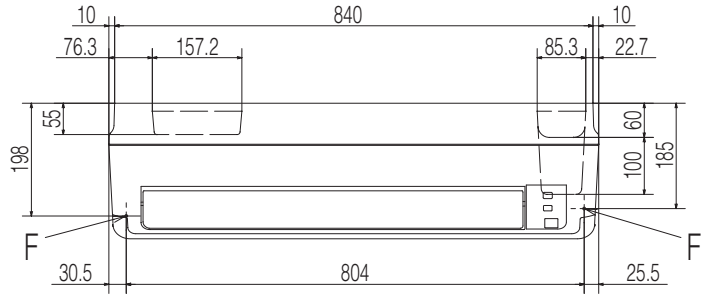


- Notes (1) The model name label is attached on the underside of the panel.
 (2) It takes the interface kit (SC-BIKN-E) to connect the wired remote controller.

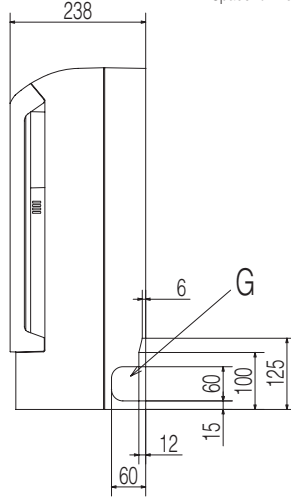
Unit:mm

Models SRK20ZJX-S, 25ZJX-S, 35ZJX-S, 50ZJX-S, 60ZJX-S

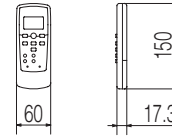
| Symbol | Content | |
|--------|------------------------------------|---|
| A | Gas piping | Model 25,35 : $\phi 9.52$ (3/8") (Flare) 50 : $\phi 12.7$ (1/2") (Flare) |
| B | Liquid piping | $\phi 6.35$ (1/4") (Flare) |
| C | Hole on wall for right rear piping | ($\phi 65$) |
| D | Hole on wall for left rear piping | ($\phi 65$) |
| E | Drain hose | VP16 |
| F | Screw point fasten the indoor unit | $\phi 5$ |
| G | Outlet for piping (on both side) | |



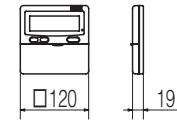
Space for installation and service when viewing from the front



Wireless remote controller



Wired remote controller (Option)



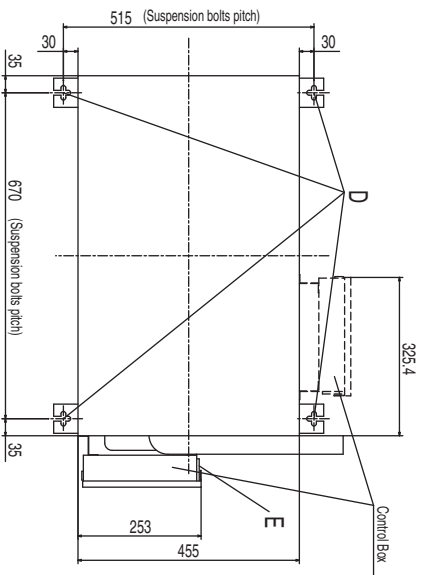
Notes

- (1) The model name label is attached on the right side of the unit.
- (2) It takes the interface kit (SC-BIKN-E) to connect the wired remote controller.
- (3) In case of wall installation, leave the unit 150mm or less from the floor.

Unit:mm

(b) Floor standing type (SRF)
Models SRF25ZJX-S, 35ZJX-S, 50ZJX-S

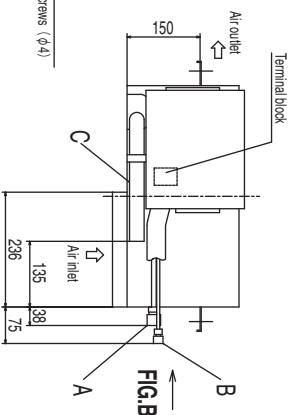
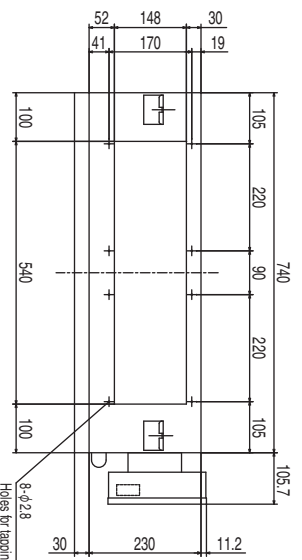
(c) Ceiling concealed type (SRR)
 Models SRR25ZJ-S, 35ZJ-S



| Symbol | Content |
|--------|---|
| A | Gas piping $\phi 9.52$ (3/8") (Flare) |
| B | Liquid piping $\phi 6.35$ (1/4") (Flare) |
| C | Drain piping VP16 |
| D | Suspension bolts (M8) |
| E | Power supply intake ($\phi 35$) |

Wireless remote controller

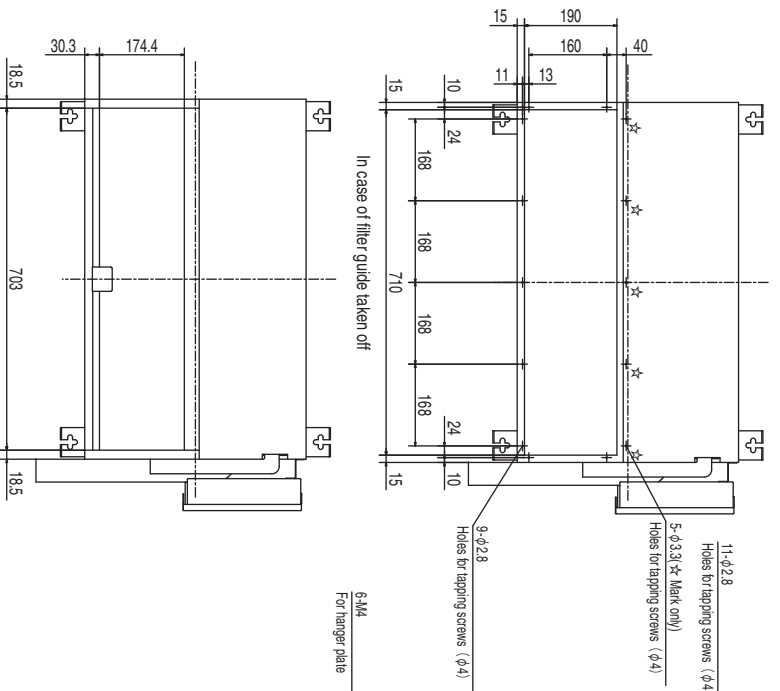
Wired remote controller
 (Option)



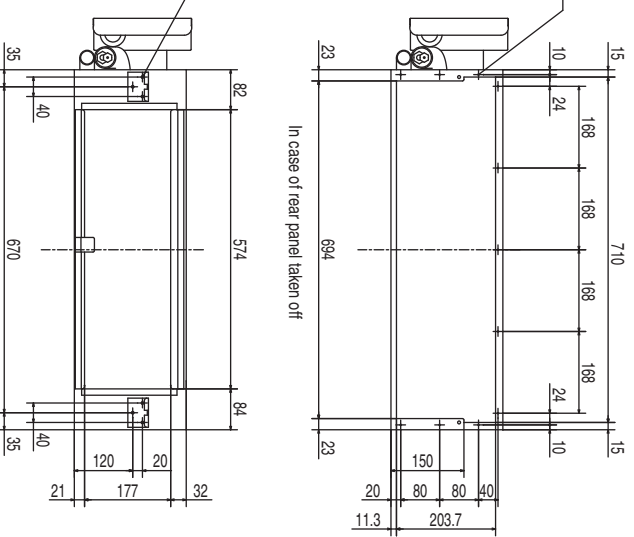
Note (1) The model name label is attached on the lid of the control box.
 (2) It takes the interface kit (SC-BKNE) to connect the wired remote controller.

Unitrim

↑ FIG. A



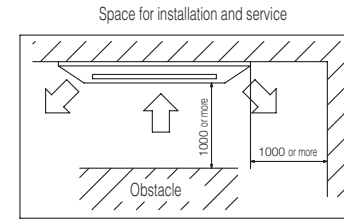
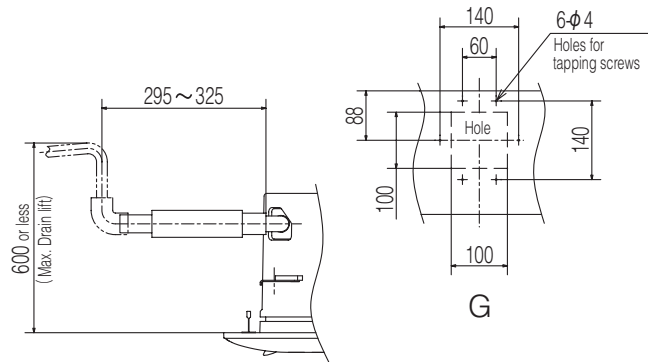
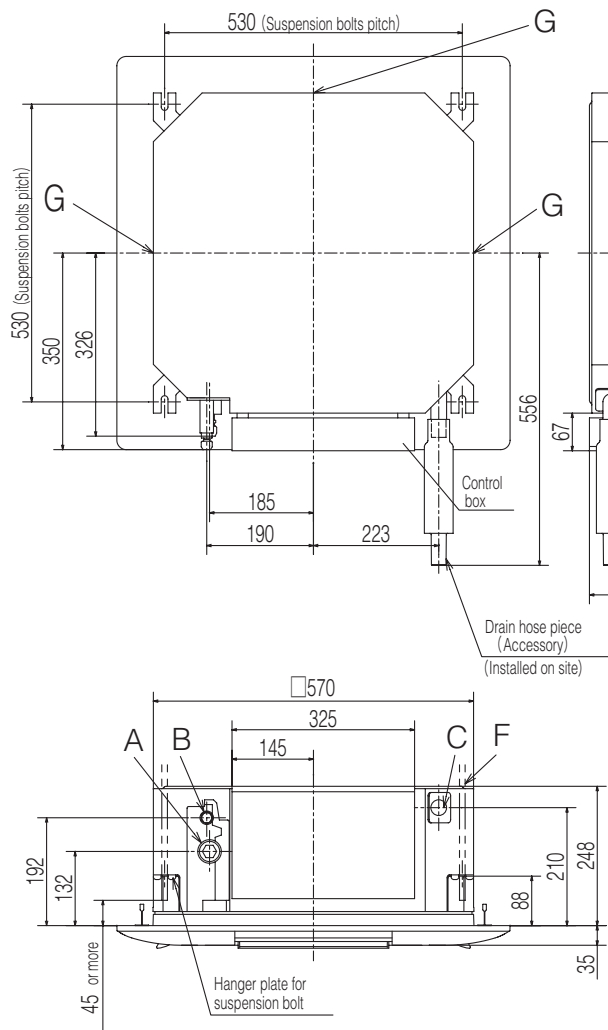
In case of filter guide installed
 (normal condition)
FIG. A
 (Air inlet from lower)



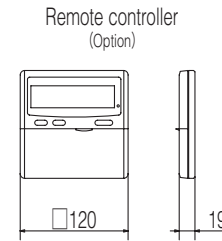
In case of filter guide installed
 (option)
FIG. B
 (Air inlet from rear)



PJA003Z338 



Make a space of 4000 or more between the units when installing more than one.



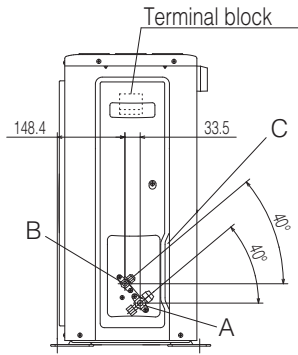
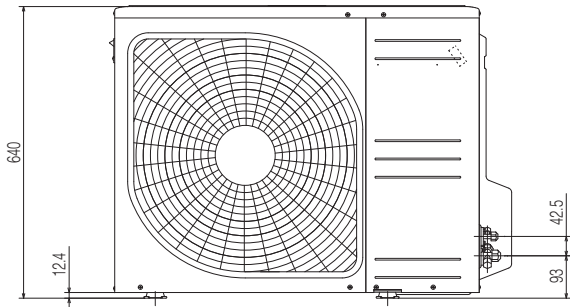
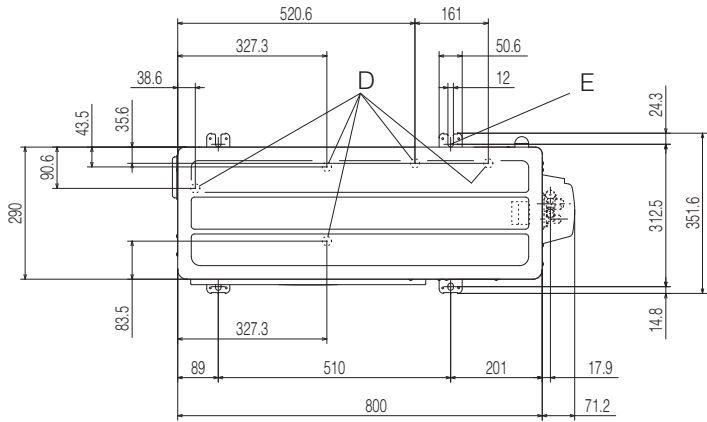
Unit:mm

| Symbol | Content | |
|--------|------------------------|-------------------------------|
| A | Gas piping | φ9.52(3/8") (Flare) |
| B | Liquid piping | φ6.35(1/4") (Flare) |
| C | Drain piping | VP20 (I.D.20,O.D.26) Note (2) |
| D | Hole for wiring | φ25 |
| F | Suspension bolts | (M10 or M8) |
| G | Ducting for air outlet | (Knock out) |

(d) Ceiling cassette-4way compact type (FDTC)
Models FDTC25VD, 35VD

- Notes (1) The model name label is attached on the control box lid.
 (2) Prepare the connecting socket (VP20) on site.
 (3) This unit is designed for 2x2 grid ceiling.
 If it is installed on a ceiling other than 2x2 grid ceiling, provide an inspection port on the control box side.

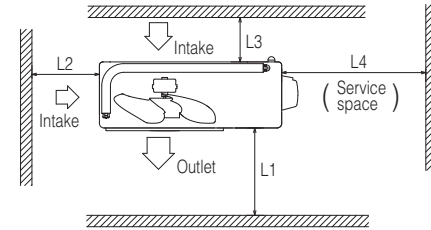
RCT000Z005



| Symbol | Content | |
|--------|--|-----------------------|
| A | Service valve connection (gas side) | φ 12.7 (1/2") (Flare) |
| B | Service valve connection (liquid side) | φ 6.35 (1/4") (Flare) |
| C | Pipe/cable draw-out hole | |
| D | Drain discharge hole | φ 20 × 5places |
| E | Anchor bolt hole | M10 × 4places |

Notes

- (1) It must not be surrounded by walls on the four sides.
- (2) The unit must be fixed with anchor bolts. An anchor bolt must not protrude more than 15mm.
- (3) Where the unit is subject to strong winds, lay it in such a direction that the blower outlet faces perpendicularly to the dominant wind direction.
- (4) Leave 1m or more space above the unit.
- (5) A wall in front of the blower outlet must not exceed the unit's height.
- (6) The model name label is attached on the right side of the unit.

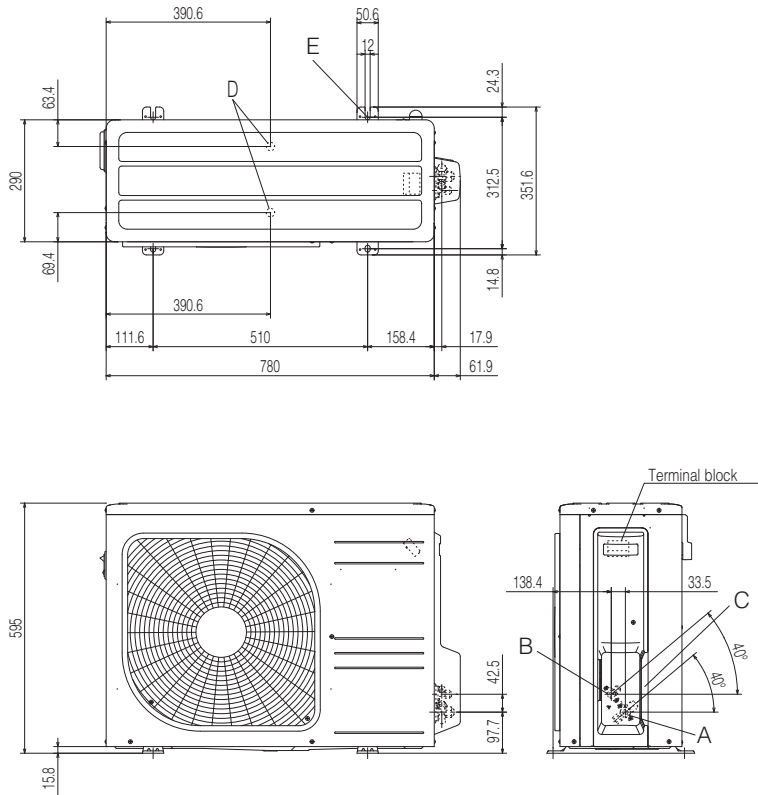


Minimum installation space

| Dimensions | Examples of installation | | | |
|------------|--------------------------|------|------|------|
| | I | II | III | IV |
| L1 | Open | 280 | 280 | 180 |
| L2 | 100 | 75 | Open | Open |
| L3 | 100 | 80 | 80 | 80 |
| L4 | 250 | Open | 250 | Open |

Unit:mm

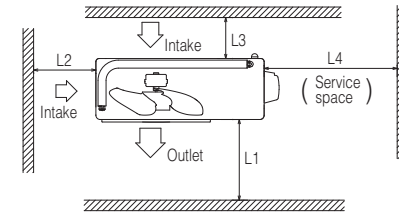
(2) Outdoor units
Model SRC50ZJ-S



| Symbol | Content | |
|--------|--|----------------------|
| A | Service valve connection (gas side) | φ9.52 (3/8") (Flare) |
| B | Service valve connection (liquid side) | φ6.35 (1/4") (Flare) |
| C | Pipe/cable draw-out hole | |
| D | Drain discharge hole | φ20 x 2places |
| E | Anchor bolt hole | M10 x 4places |

Notes

- (1) It must not be surrounded by walls on the four sides.
- (2) The unit must be fixed with anchor bolts. An anchor bolt must not protrude more than 15mm.
- (3) Where the unit is subject to strong winds, lay it in such a direction that the blower outlet faces perpendicularly to the dominant wind direction.
- (4) Leave 1m or more space above the unit.
- (5) A wall in front of the blower outlet must not exceed the unit's height.
- (6) The model name label is attached on the lower right corner of the front panel.

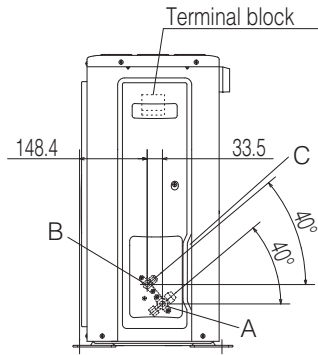
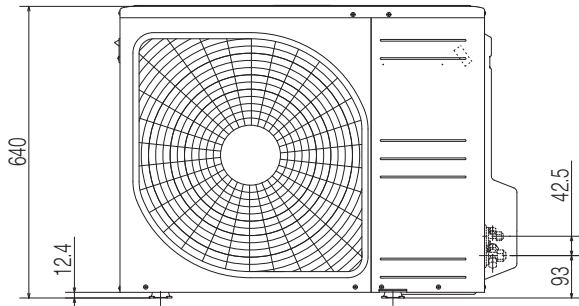
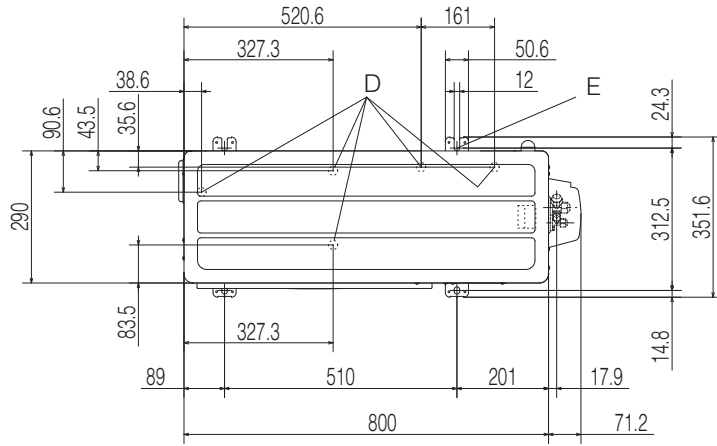


Minimum installation space

| Examples of installation Dimensions | Examples of installation | | | |
|--|--------------------------|------|------|------|
| | I | II | III | IV |
| L1 | Open | 280 | 280 | 180 |
| L2 | 100 | 75 | Open | Open |
| L3 | 100 | 80 | 80 | 80 |
| L4 | 250 | Open | 250 | Open |

Unit:mm

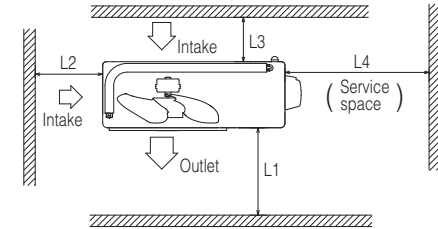
RCT000Z004



| Symbol | Content | |
|--------|--|-----------------------|
| A | Service valve connection (gas side) | φ 12.7 (1/2") (Flare) |
| B | Service valve connection (liquid side) | φ 6.35 (1/4") (Flare) |
| C | Pipe/cable draw-out hole | |
| D | Drain discharge hole | φ 20 x 5places |
| E | Anchor bolt hole | M10 x 4places |

Notes

- (1) It must not be surrounded by walls on the four sides.
- (2) The unit must be fixed with anchor bolts. An anchor bolt must not protrude more than 15mm.
- (3) Where the unit is subject to strong winds, lay it in such a direction that the blower outlet faces perpendicularly to the dominant wind direction.
- (4) Leave 1m or more space above the unit.
- (5) A wall in front of the blower outlet must not exceed the units height.
- (6) The model name label is attached on the lower right corner of the front panel.



Minimum installation space

| Examples of installation Dimensions | Examples of installation | | | |
|--|--------------------------|------|------|------|
| | I | II | III | IV |
| L1 | Open | 280 | 280 | 180 |
| L2 | 100 | 75 | Open | Open |
| L3 | 100 | 80 | 80 | 80 |
| L4 | 250 | Open | 250 | Open |

Unit:mm

Models SRC50ZIX-S, 60ZIX-S

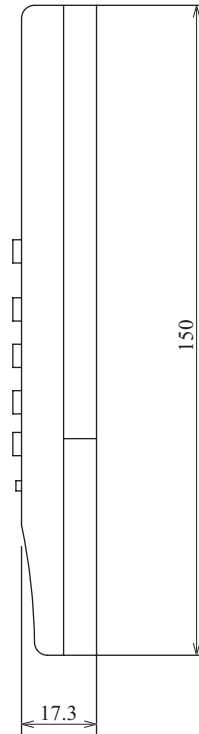
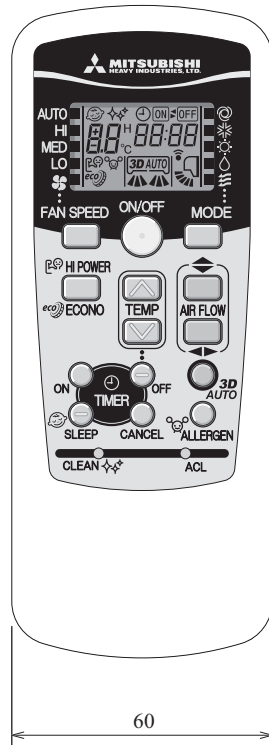
(3) Remote controller

(a) Wireless remote controller

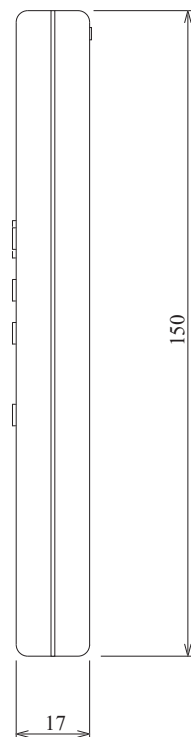
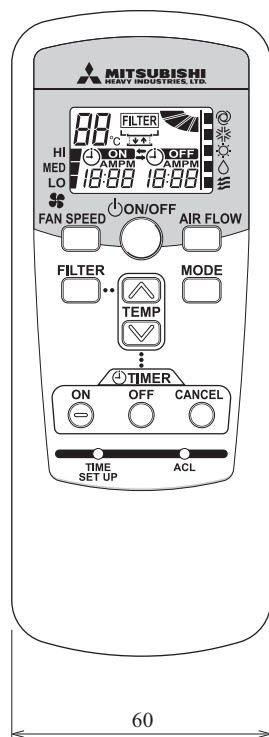
Models SRK, SRF, SRR

•The wireless remote controller in the following figure shows for the SRK-50ZJ-S type.

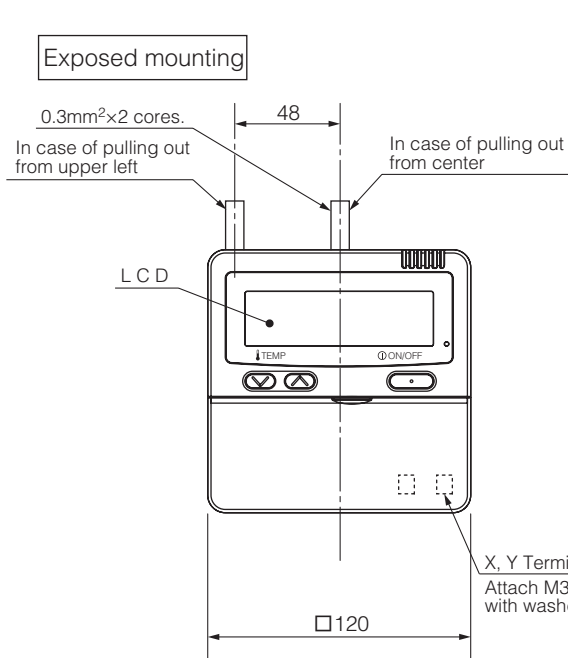
Unit: mm



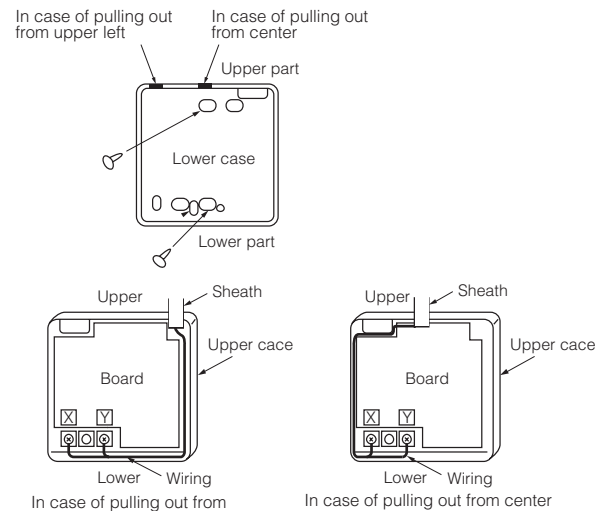
Model FDTC (Option parts)



(b) Wired remote controller (option parts)

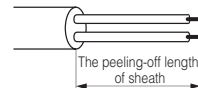


Wiring outlet
Cut off the upper thin part of remote control lower case with a nipper or knife, and grind burrs with a file etc.

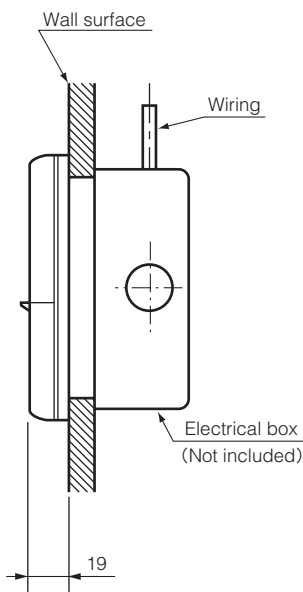


The peeling-off length of sheath

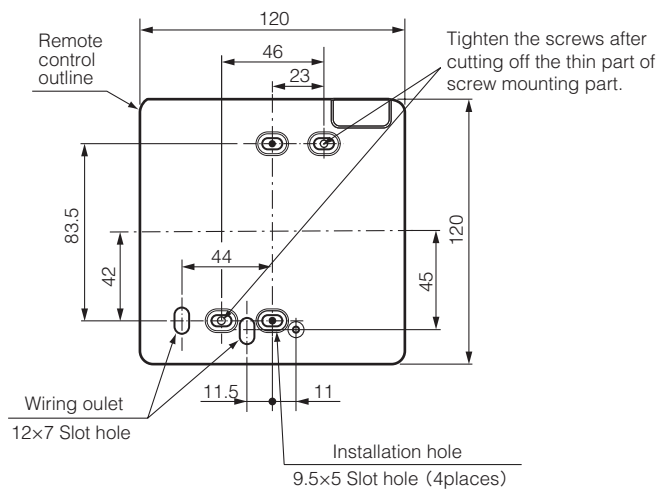
| Pulling out from upper left | Pulling out from center |
|-----------------------------|-------------------------|
| X wiring : 215mm | X wiring : 170mm |
| Y wiring : 195mm | Y wiring : 190mm |



Embedded mounting



Remote control installation dimensions



(1) Installation screw for remote control
M4 Screw (2 pieces)

Unit:mm

Wiring specifications

(1) If the prolongation is over 100m, change to the size below.
But, wiring in the remote controller case should be under 0.5mm². Change the wire size outside of the case according to wire connecting. Waterproof treatment is necessary at the wire connecting section. Be careful about contact failure.

| Length | Wiring thickness |
|-------------|------------------------------|
| 100 to 200m | 0.5mm ² x2 cores |
| Under 300m | 0.75mm ² x2 cores |
| Under 400m | 1.25mm ² x2 cores |
| Under 600m | 2.0mm ² x2 cores |

PJZ000Z274

3. ELECTRICAL WIRING

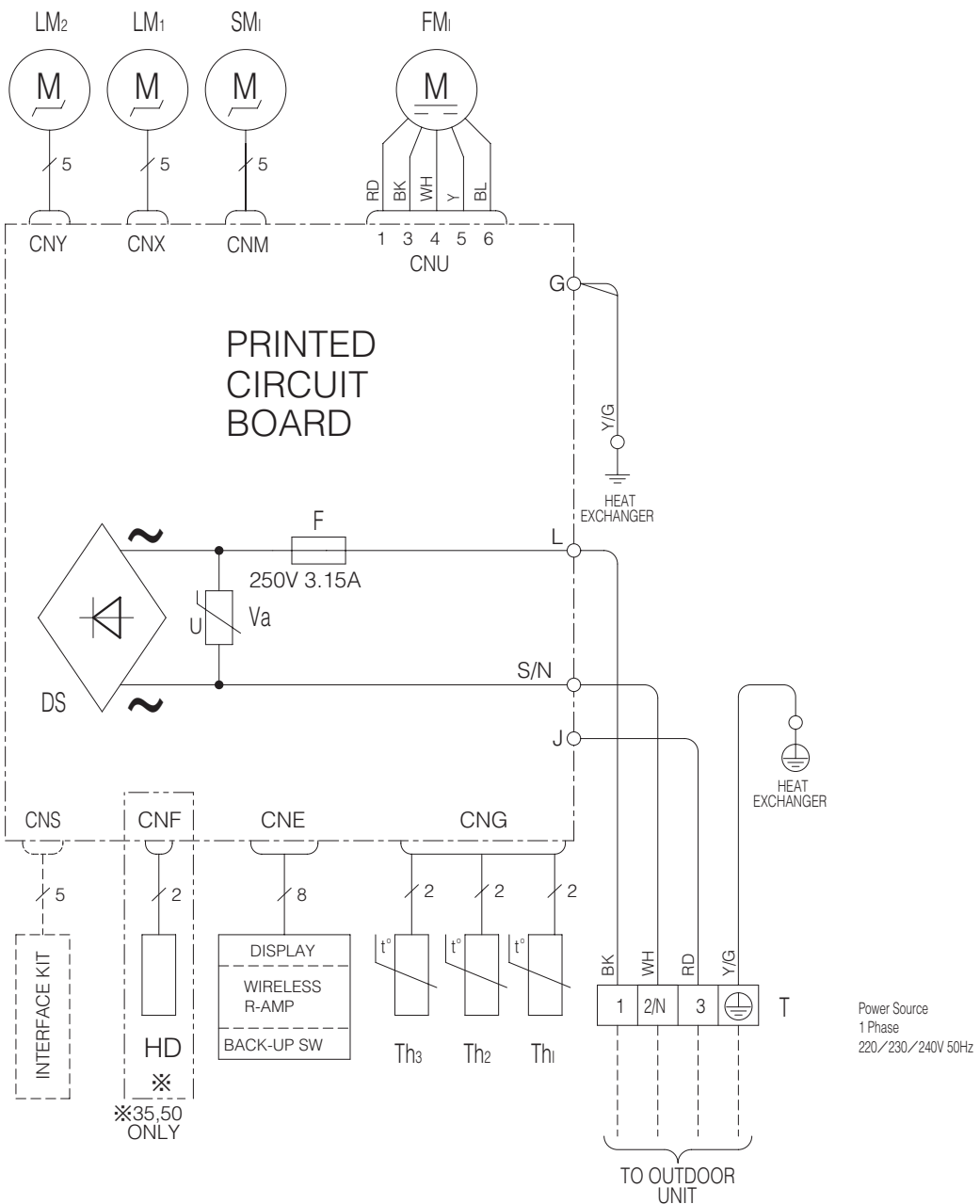
(1) Indoor units

(a) Wall mounted type (SRK)

Model SRK50ZJ-S

| Item | Description |
|-------------------|-------------------|
| CNE-CNY | Connector |
| FM _i | Fan motor |
| SM _i | Flap motor |
| LM _{1,2} | Louver motor |
| HD | Humidity sensor |
| Th ₁ | Room temp. sensor |
| Th _{2,3} | Heat exch. sensor |
| DS | Diode stack |
| F | Fuse |
| T | Terminal block |
| Va | Varistor |

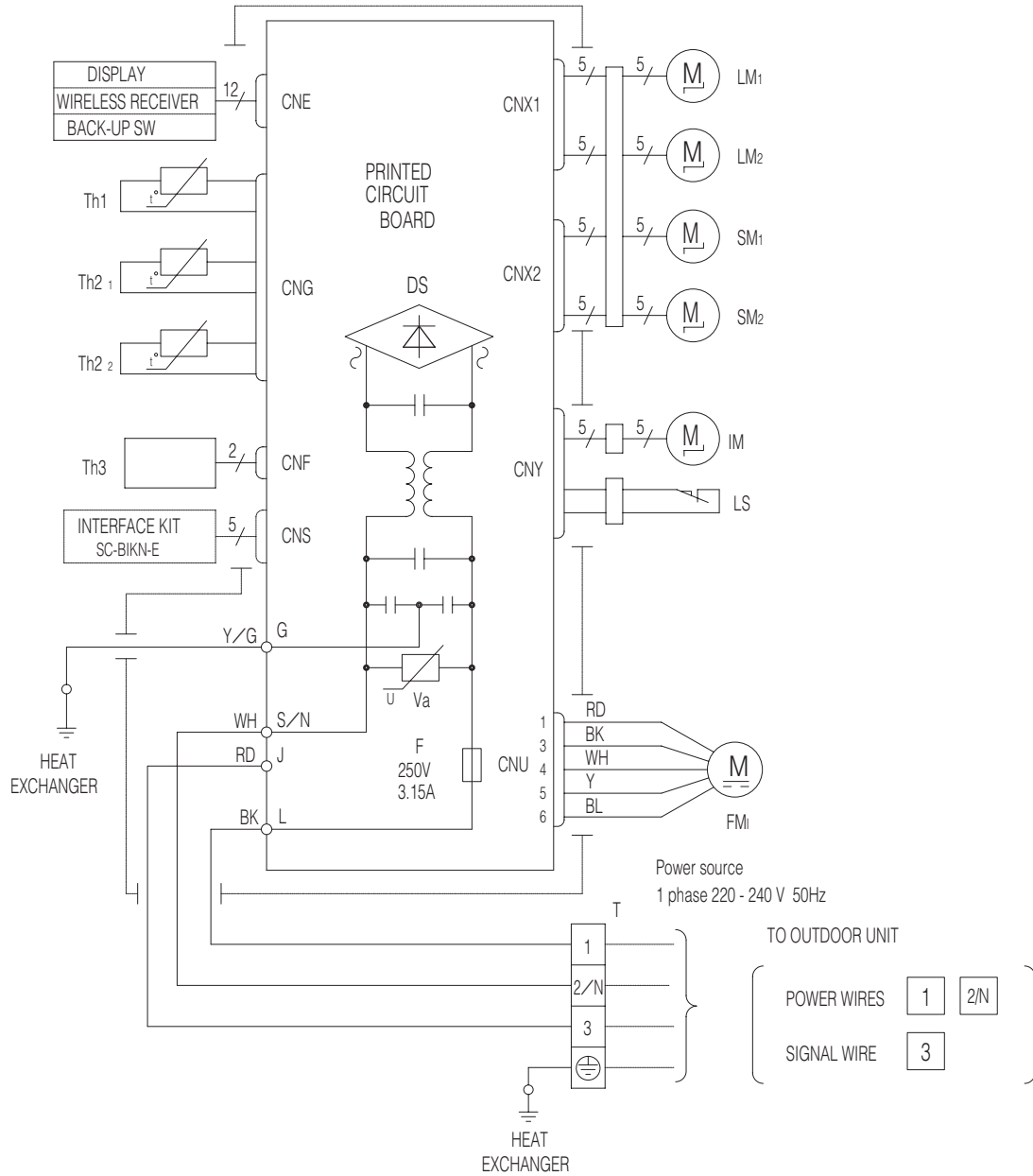
| Mark | Color |
|------|--------------|
| BK | Black |
| BL | Blue |
| RD | Red |
| WH | White |
| Y | Yellow |
| Y/G | Yellow/Green |



※35.50 ONLY

RWA000Z226

RWA000Z227



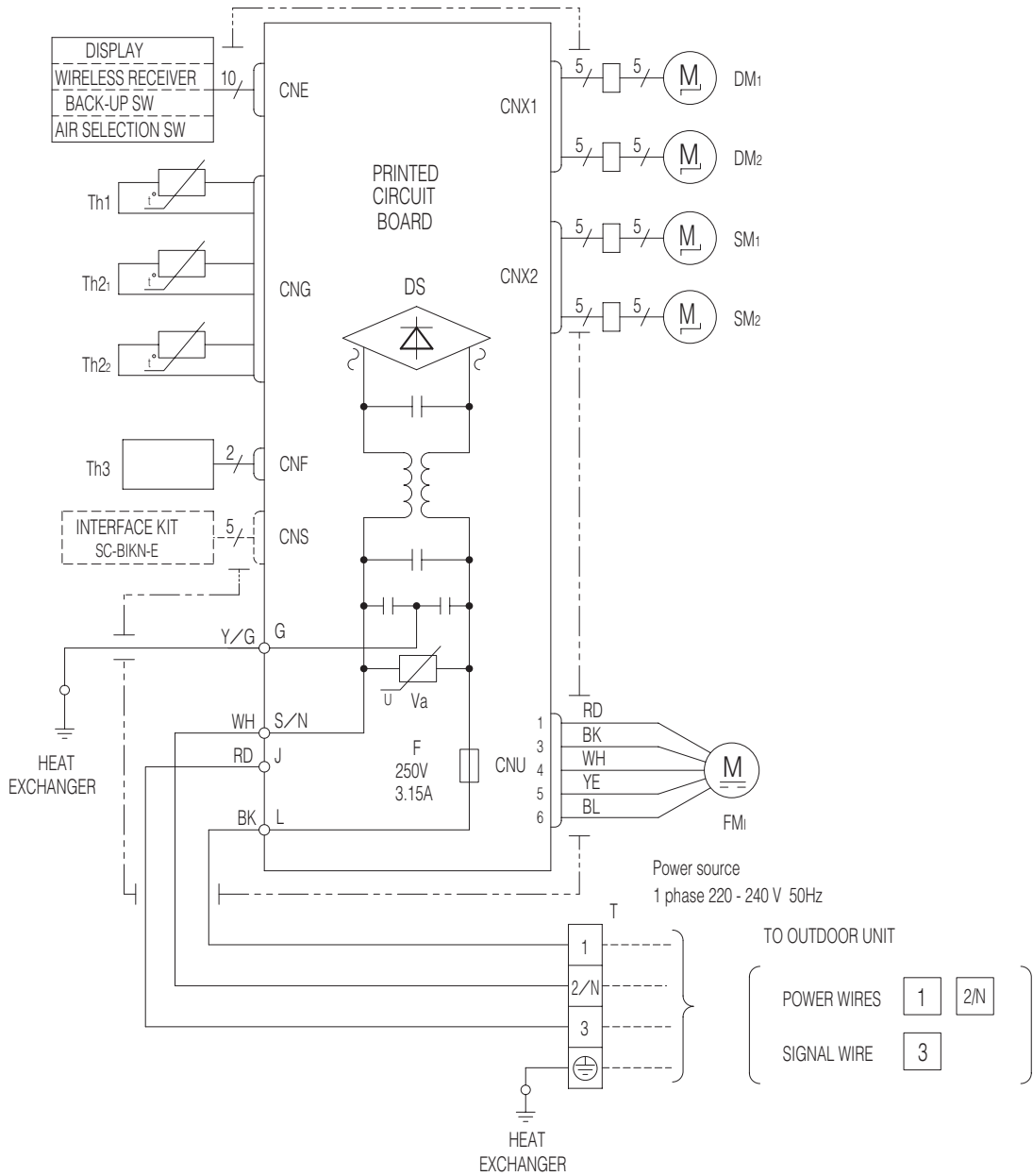
| Item | Description |
|-------------------|------------------------------|
| CNE-CNY | Connector |
| FM _i | Fan motor |
| SM _{1,2} | Flap motor |
| LM _{1,2} | Louver motor |
| IM | Inlet motor |
| Th1 | Room temp. sensor |
| Th2 1,2 | Heat exch. sensor |
| Th3 | Humidity sensor (50,60 only) |
| LS | Limit switch |
| DS | Diode stack |
| F | Fuse |
| T | Terminal block |
| Va | Varistor |

Color Marks

| Mark | Color |
|------|--------------|
| BK | Black |
| BL | Blue |
| RD | Red |
| WH | White |
| Y | Yellow |
| Y/G | Yellow/Green |

Models SRK20ZJX-S, 25ZJX-S, 35ZJX-S, 50ZJX-S, 60ZJX-S

RWB000Z052



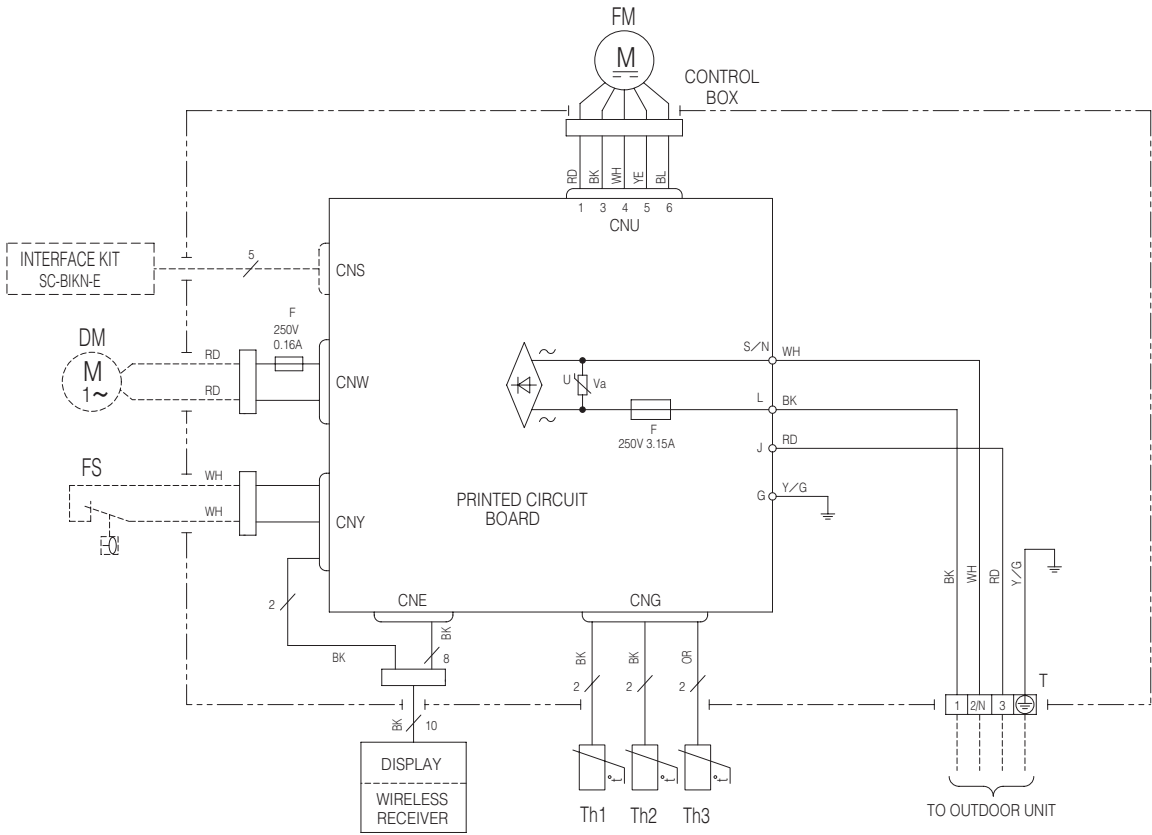
| Item | Description |
|--------------------|-------------------|
| CNE-CN2 | Connector |
| FM _i | Fan motor |
| SM _{1,2} | Flap motor |
| DM ₁ | Damper motor |
| DM ₂ | Damper arm motor |
| Th1 | Room temp. sensor |
| Th2 _{1,2} | Heat exch. sensor |
| Th3 | Humidity sensor |
| DS | Diode stack |
| F | Fuse |
| T | Terminal block |
| Va | Varistor |

Color Marks

| Mark | Color |
|------|--------------|
| BK | Black |
| BL | Blue |
| RD | Red |
| WH | White |
| YE | Yellow |
| Y/G | Yellow/Green |

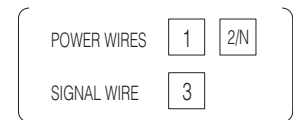
(b) Floor standing type (SRF)
Models SRF25ZJX-S, 35ZJX-S, 50ZJX-S

(c) Ceiling concealed type (SRR)
 Models SRR25ZJ-S, 35ZJ-S



Power source
 1 phase 220 - 240 V 50Hz

TO OUTDOOR UNIT



Color Marks

| Mark | Color | Mark | Color |
|------|--------|------|--------------|
| BK | Black | YE | Yellow |
| BL | Blue | Y/G | Yellow/Green |
| OR | Orange | | |
| RD | Red | | |
| WH | White | | |

Meaning of Marks

| Item | Description | Item | Description |
|-----------------|--------------|------|---------------------|
| CNE-CNY | Connector | Th1 | Room temp. sensor |
| F | Fuse | Th2 | Heat exch. sensor 1 |
| FM ₁ | Fan motor | Th3 | Heat exch. sensor 2 |
| DM | Drain motor | T | Terminal block |
| FS | Float Switch | Va | Varistor |

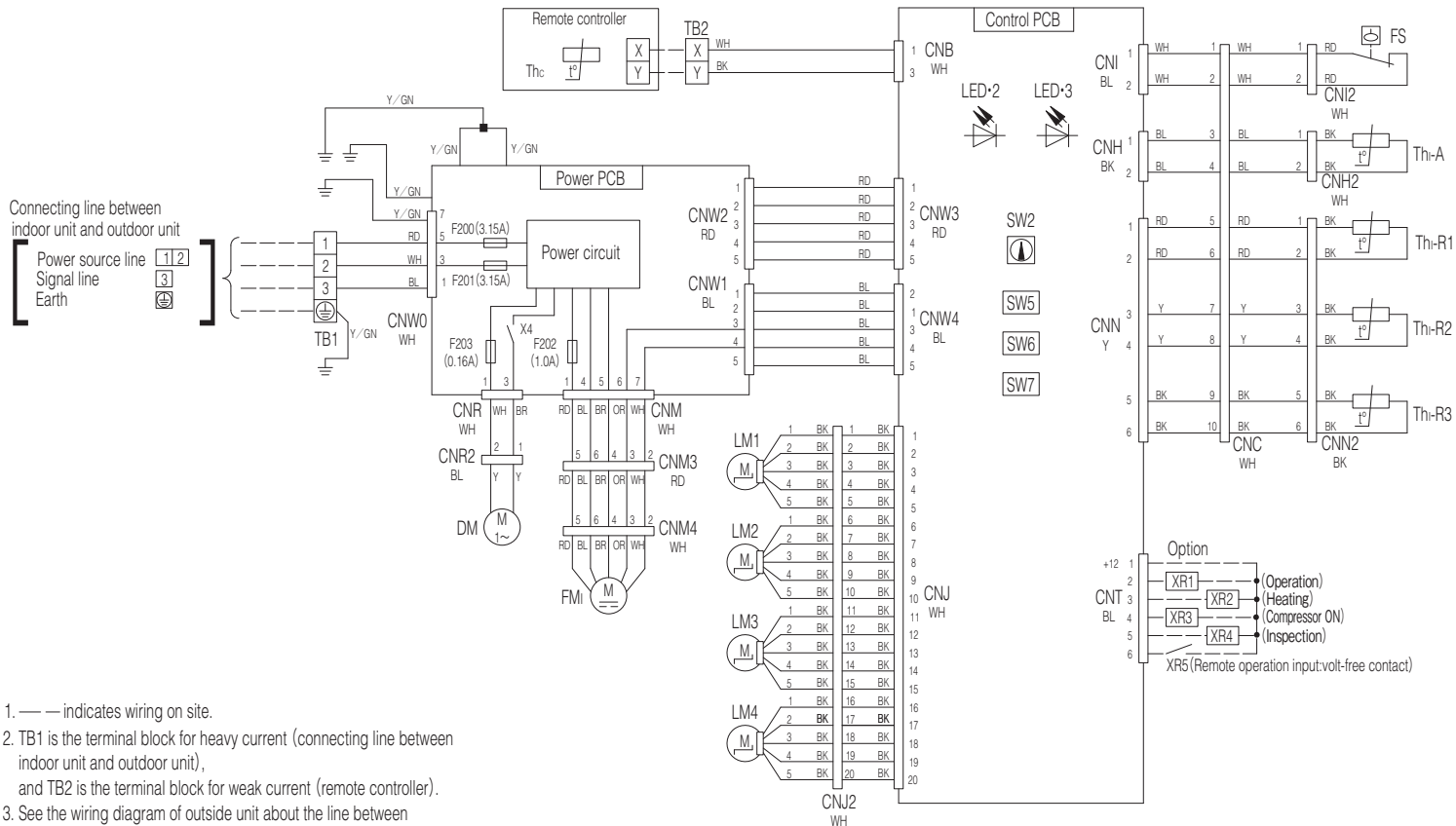
| | |
|----------|---|
| CNB~Z | Connector |
| DM | Drain motor |
| F200~203 | Fuse |
| FM i | Fan motor |
| FS | Float switch |
| LED-2 | Indication lamp (Green-Normal operation) |

| | |
|-------|---|
| LED-3 | Indication lamp (Red-Inspection) |
| LM1~4 | Louver motor |
| SW2 | Remote controller communication address |
| SW5 | Plural units Master / Slave setting |
| SW6 | Model capacity setting |
| SW7-1 | Operation check, Drain motor test run |

| | |
|-----------|---|
| TB1 | Terminal block (Power source) (□ mark) |
| TB2 | Terminal block (Signal line) (□ mark) |
| Thc | Thermistor (Remote controller) |
| Th-A | Thermistor (Return air) |
| Th-R1,2,3 | Thermistor (Heat exchanger) |
| X4 | Relay for DM |
| ■ mark | Closed-end connector |

Color Marks

| Mark | Color |
|--------|----------------|
| BK | Black |
| BL | Blue |
| BR | Brown |
| OR | Orange |
| RD | Red |
| WH | White |
| Y | Yellow |
| Y / GN | Yellow / Green |



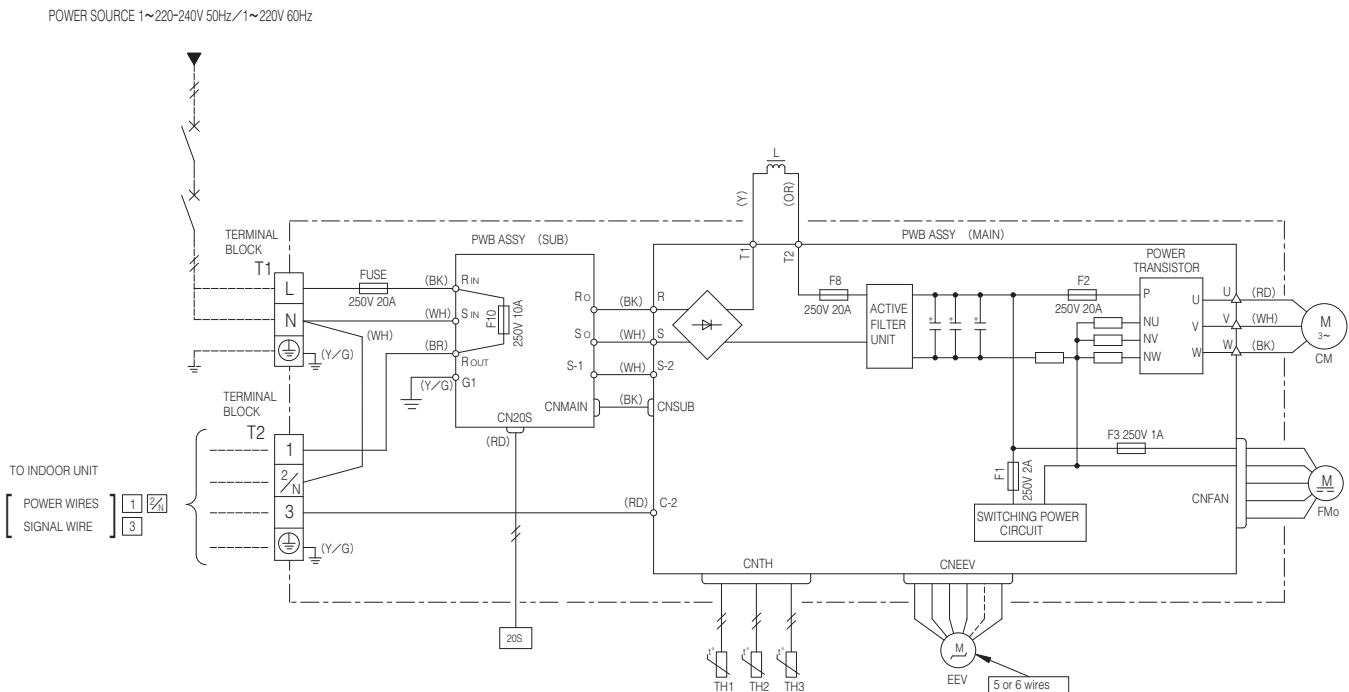
- Notes
1. — indicates wiring on site.
 2. TB1 is the terminal block for heavy current (connecting line between indoor unit and outdoor unit), and TB2 is the terminal block for weak current (remote controller).
 3. See the wiring diagram of outside unit about the line between inside unit and outside unit.
 4. Use twin core cable (0.3mm²X2) at remote controller line. See spec sheet of remote controller in case that the total length is more than 100m.
 5. Do not put remote controller line alongside power source line.

(d) Ceiling cassette-4way compact type (FDTC)
Models FDT25VD, 35VD

(2) Outdoor units
Model SRC50ZJ-S

| Item | Description |
|-------------|--------------------------------------|
| CM | Compressor motor |
| CNEEV~CN20S | Connector |
| EEV | Electric expansion valve (coil) |
| FMo | Fan motor |
| L | Reactor |
| T1,2 | Terminal block |
| TH1 | Heat exchanger sensor (outdoor unit) |
| TH2 | Outdoor air temp.sensor |
| TH3 | Discharge pipe temp.sensor |
| 20S | Solenoid valve for 4 way valve |

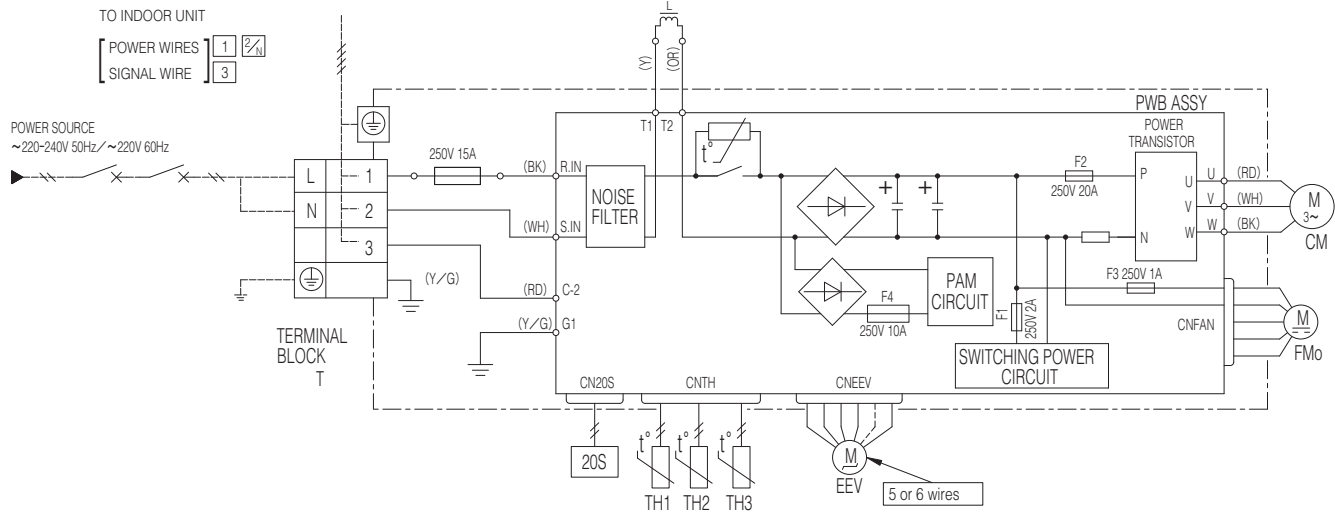
| Mark | Color |
|------|--------------|
| BK | Black |
| BR | Brown |
| OR | Orange |
| RD | Red |
| WH | White |
| Y | Yellow |
| Y/G | Yellow/Green |



Power cable, indoor-outdoor connecting wires

| Model | MAX running current (A) | Power cable size (mm ²) | Power cable length (m) | indoor-outdoor wire size x number | Earth wire size (mm) |
|-------|-------------------------|-------------------------------------|------------------------|-----------------------------------|----------------------|
| 50 | 14 | 2.0 | 18 | φ 1.6mm x 3 | φ 1.6mm |

- The specifications shown in the above table are for units without heaters. For units with heaters, refer to the installation instructions or the construction instructions of the indoor unit.
- Switchgear of Circuit breaker capacity which is calculated from MAX. over current should be chosen along the regulations in each country.
- The cable specifications are based on the assumption that a metal or plastic conduit is used with no more than three cables contained in a conduit and a voltage drop is 2%. For an installation falling outside of these conditions, please follow the internal cabling regulations. Adapt it to the regulation in effect in each country.



| Item | Description |
|---------------------------------|--------------------------------------|
| CM | Compressor motor |
| CN20S CNTH CNEEV CNFAN | Connector |
| EEV | Electric expansion valve (coil) |
| FMo | Fan motor |
| L | Reactor |
| T | Terminal block |
| TH1 | Heat exchanger sensor (outdoor unit) |
| TH2 | Outdoor air temp.sensor |
| TH3 | Discharge pipe temp.sensor |
| 20S | Solenoid valve for 4 way valve |

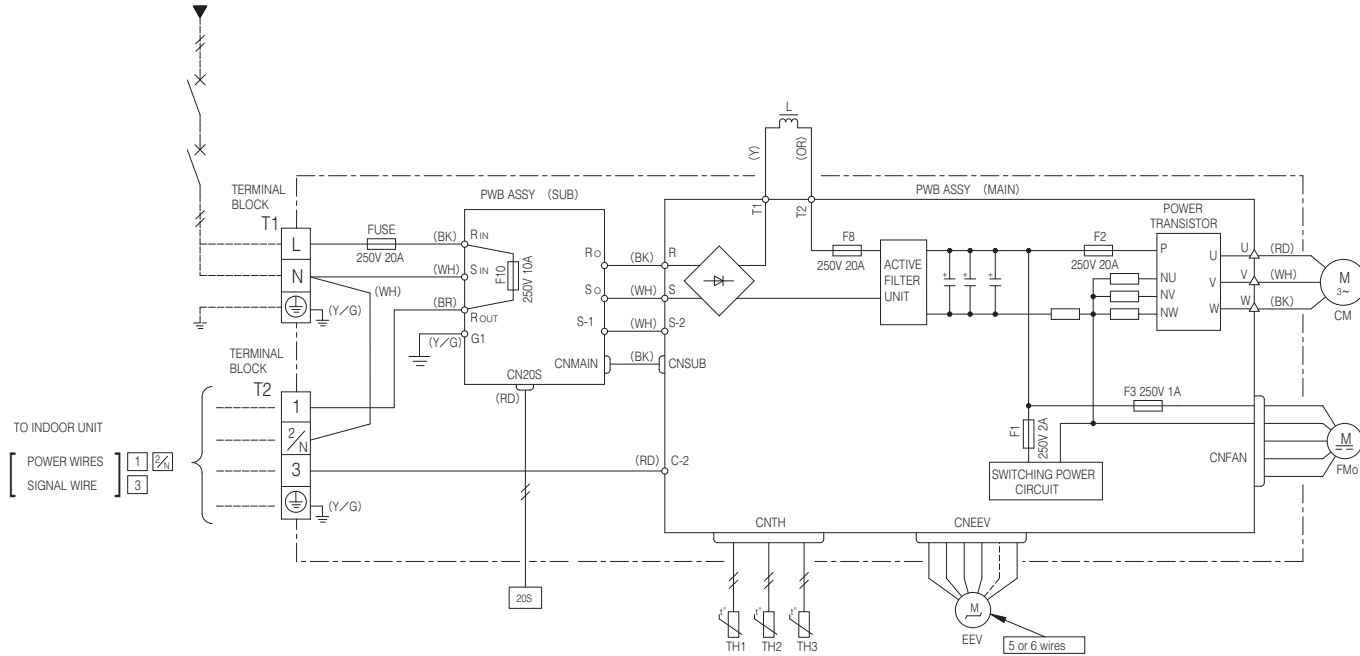
| Mark | Color |
|------|--------------|
| BK | Black |
| OR | Orange |
| RD | Red |
| WH | White |
| Y | Yellow |
| Y/G | Yellow/Green |

Power cable, indoor-outdoor connecting wires

| Model | MAX running current (A) | Power cable size (mm ²) | Power cable length (m) | indoor-outdoor wire size x number | Earth wire size (mm) |
|-------|-------------------------|-------------------------------------|------------------------|-----------------------------------|----------------------|
| 20 | 8 | 2.0 | 32 | φ 1.6mm x 3 | φ 1.6mm |
| 25 | | | | | |
| 35 | | | | | |

- The specifications shown in the above table are for units without heaters. For units with heaters, refer to the installation instructions or the construction instructions of the indoor unit.
- Switchgear of Circuit breaker capacity which is calculated from MAX. over current should be chosen along the regulations in each country.
- The cable specifications are based on the assumption that a metal or plastic conduit is used with no more than three cables contained in a conduit and a voltage drop is 2%. For an installation falling outside of these conditions, please follow the internal cabling regulations. Adapt it to the regulation in effect in each country.

POWER SOURCE 1~220-240V 50Hz/1~220V 60Hz



| Item | Description |
|-----------|--------------------------------------|
| CM | Compressor motor |
| CNEEV~20S | Connector |
| EEV | Electric expansion valve (coil) |
| FMo | Fan motor |
| L | Reactor |
| T1,2 | Terminal block |
| TH1 | Heat exchanger sensor (outdoor unit) |
| TH2 | Outdoor air temp.sensor |
| TH3 | Discharge pipe temp.sensor |
| 20S | Solenoid valve for 4 way valve |

| Mark | Color |
|------|--------------|
| BK | Black |
| BR | Brown |
| OR | Orange |
| RD | Red |
| WH | White |
| Y | Yellow |
| Y/G | Yellow/Green |

Power cable, indoor-outdoor connecting wires

| Model | MAX running current (A) | Power cable size (mm ²) | Power cable length (m) | indoor-outdoor wire size x number | Earth wire size (mm) |
|-------|-------------------------|-------------------------------------|------------------------|-----------------------------------|----------------------|
| 40 | 12 | 2.0 | 21 | φ 1.6mm x 3 | φ 1.6mm |
| 50 | 14 | | 18 | | |
| 60 | | | | | |

- The specifications shown in the above table are for units without heaters. For units with heaters, refer to the installation instructions or the construction instructions of the indoor unit.
- Switchgear of Circuit breaker capacity which is calculated from MAX. over current should be chosen along the regulations in each country.
- The cable specifications are based on the assumption that a metal or plastic conduit is used with no more than three cables contained in a conduit and a voltage drop is 2%. For an installation falling outside of these conditions, please follow the internal cabling regulations. Adapt it to the regulation in effect in each country.

INVERTER RESIDENTIAL AIR CONDITIONERS



Air-Conditioning & Refrigeration Systems Headquarters
16-5, 2-chome, Kounan, Minato-ku, Tokyo, 108-8215, Japan
Fax : (03) 6716-5926

Because of our policy of continuous improvement, we reserve the right to make changes in all specifications without notice.

© Copyright MITSUBISHI HEAVY INDUSTRIES, LTD.